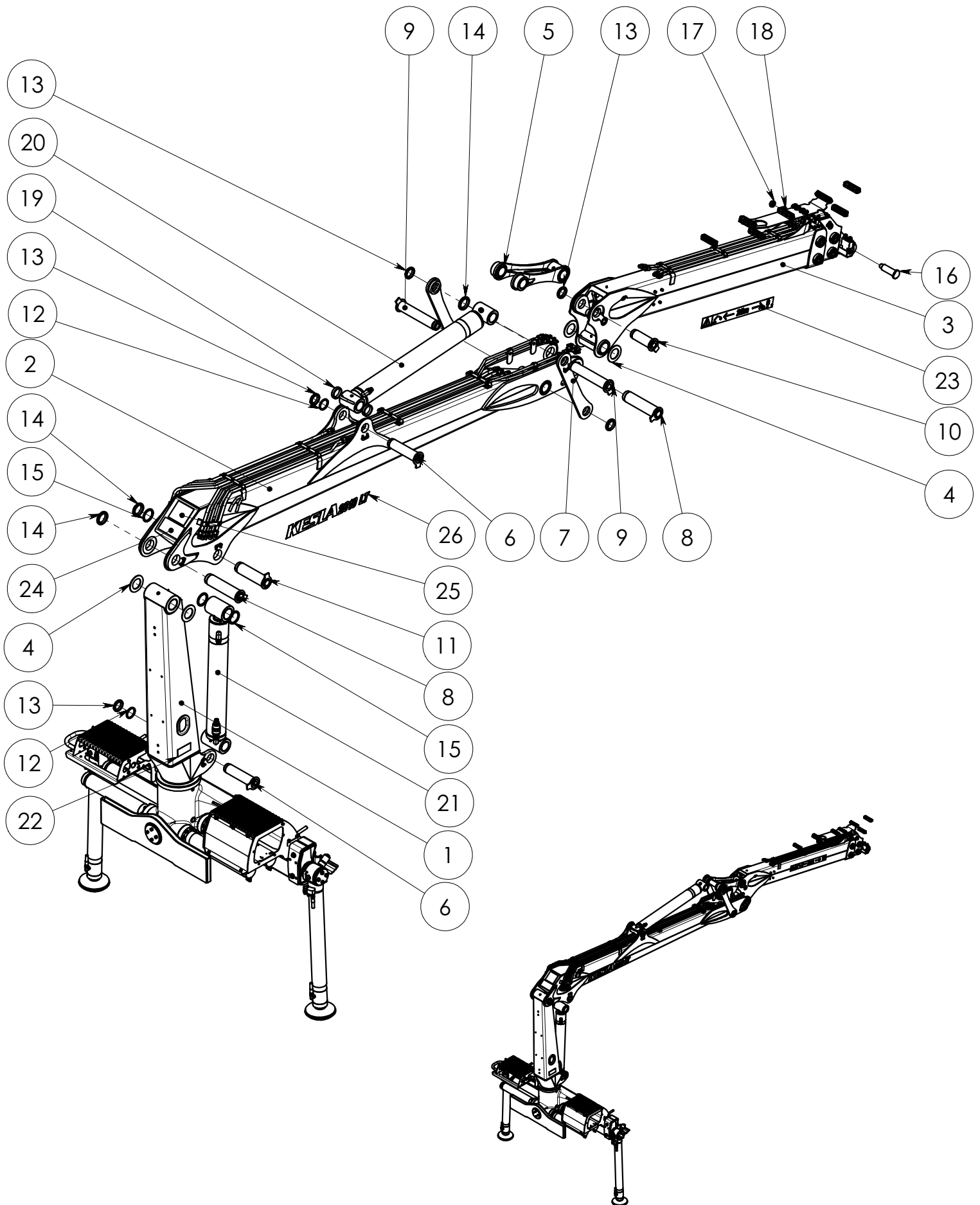


KESLA 2010L, 2010LT**Sisällysluettelo\Innehållsförteckning\Contents \Inhaltsverzeichnis**

Pääkokooppaano \ Sammansättning \ Final assembly \ Zusammensetzung	1
Käantölaite \ Vridanordning \ Slew mechanism \ Schwenkwerk	3
Tukijalkavarustus \ Stödbensutrustning \ Stabilizers \ Stützfußbausrüstung	6
Nostopuomi \ Lyftbom \ Main lifting boom \ Hubarm	9
Nostopuomi hyttivarustus \ Lyftbom hytt utrustning \ Main lifting boom cabin assy\ Hubarm kabine Besatzung	11
Siirtopuomisto \ Vipparm \ Outer boom \ Knickarm KESLA 2010L	13
Siirtopuomisto \ Vipparm \ Outer boom \ Knickarm KESLA 2010LT.....	16
Siirtopuomiston ketju \ Kedja \ Chain \ Kette kompl. \.R1" (81)	19
Vetotanko varusteltuna \ Dragstång \ Inner link assy \ Mittleres Gelenk	21
Nostosylinteri varusteltuna \ Lyftcylinder utrustning \ Accessories for main lifting cylinder \ Ausrüstung für Hubzylinder	23
Nostosylinteri \ Lyftcylinder \ Main lifting cylinder \ Hubzylinder.....	25
Siirtosylinteri varusteltuna \ Vippcylinder utrustning \ Accessories for outer boom cylinder \ Ausrüstung für Knickarmzylinder.....	27
Siirtosylinteri \ Vippcylinder \ Outer boom cylinder \ Knickarmzylinder	29
Tukijalkojen levityssylinteri \ Spridningscylinder \ Spreading cylinder \ Ausshubzylinder für Stützfüsse	31
Jatkeen sylinteri \Utskjutscylinder \ Extension cylinder \ Ausschubzylinder \ KESLA 2010L.....	33
Jatkeen sylinteri \Utskjutscylinder \ Extension cylinder \ Ausschubzylinder \ KESLA 2010LT	35
Tukijalan sylinteri \ Stödbenscylinder \ Stabilizer cylinder \ Stützfußcylinder	37
Riipuke varusteltuna \ Rotatorlänk \ Rotator link \ Rotatorgelenk.....	39
Painesuodatin \ Tryckfilter \ Pressure filter \ Druckfilter	41
Nostosylinterin suoja \ fastening bolts \ fästbults \ Aufspannbolzen.....	43
Kiinnityspultit \ fastening bolts \ fästbults \ Aufspannbolzen \.....	45
Hallintalaitteet \ Styrningsanordning \ Control unit \ Bedienungsanordning	47→

90000324

NOSTURI

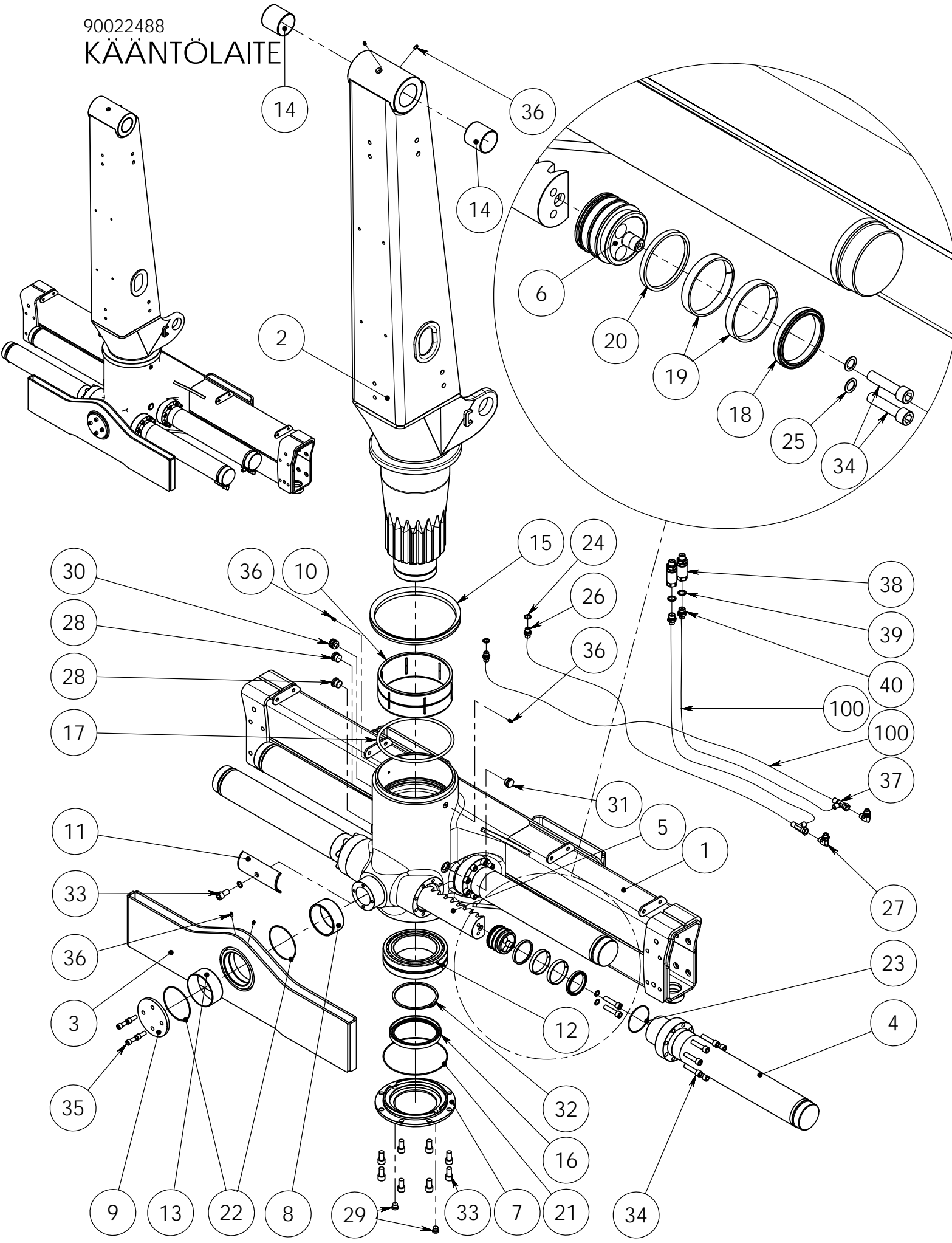


Item code	90000324	Revision	-
Title	CRANE	Date	16.07.2008
Specification	L=9700		

Pos	Item code	Title	Specification	Pc	Nto Weight
1	90022495	FOOT	TUKIJALKAVAR	1	923.89
2	90022560	LIFT BOOM	L=4050 OPEN-TYPE	1	340.85
3	90022663	OUTER BOOM	L=5770	1	316.61
4	90010011	BEARING	130/80.5 - 5	4	0.05
5	90016039	DRAW BAR		1	21.59
6	90015998	AXLE	70/M65X2-298 HITS	2	6.75
7	90016040	LINK	HITS+KON	2	10.23
8	90015226	AXLE	80/M75-333	2	9.09
9	90016003	AXLE	70/M65X2-388 HITS	2	8.75
10	90016005	AXLE	70/M65X2-216	1	4.93
11	90020764	AXLE	80/M75X2-300	1	8.07
12	90016000	WASHER	85/71-6	2	0.08
13	3020157	NUT	KM13 NYLOC M65X2.0	5	0.26
14	3020158	NUT	KM15 NYLOC M75X2	3	0.35
15	90013697	WASHER	100/81-6	3	0.13
16	90013105	AXLE	45-164	1	1.94
17	3020144	NUT	M30X1.5 ZN NYLOC	1	0.1
18	90013106	WASHER	56/31-8	1	0.08
19	90016045	SLEEVE	85/71-18	2	0.24
20	90017040	CYLINDER	125X70X 1020 VARUSTELU	1	73.82
21	90022565	CYLINDER	125/70 X 810 NOSTO	1	89.82
22	3280201	PLATE	JOENSUU	1	0.06
23	3281135	DECAL	VAARA-ALUE 25 M, 730X80	2	0.1
24	3281440	PLATE	NOSTOARVOTAULUKKO 2010L	1	0.16
25	3280264	DECAL	VARO JÄNNITTEISTÄ. (130X160) FI,SV	1	0.02
26	3281455	DECAL		2	0.07
27	3280231	DECAL	OHJAUSKAAVIO, 2-VIPU (MUOVI 120X120)	1	
28	90022521	FASTENING KIT	M30X2-750	1	34.88

90022488

KÄÄNTÖLAITE

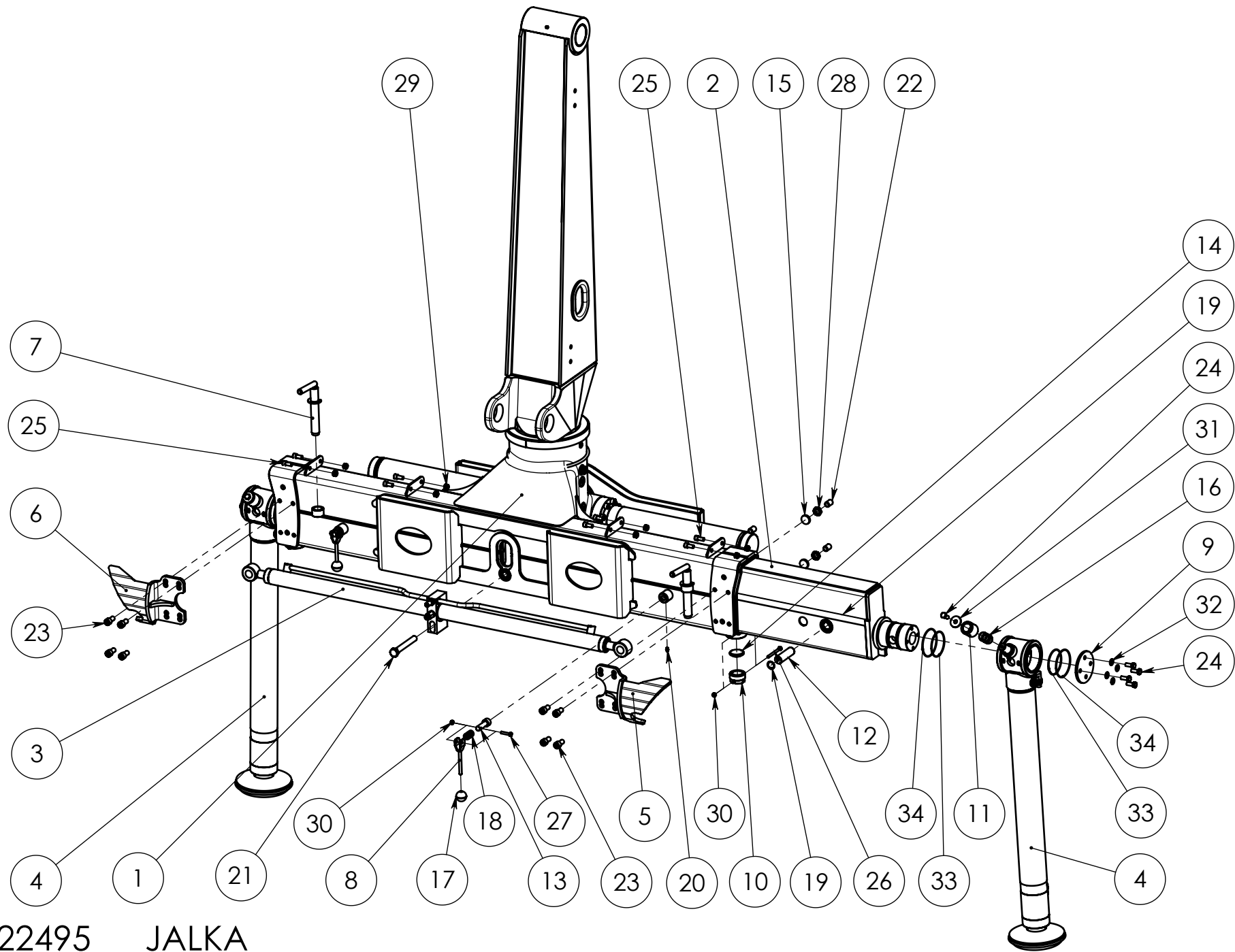


Item code	90022488	Revision	B
Title	SLEW MECHANNISM	Date	04.04.2008
Specification	23 KNM		

Pos	Item code	Title	Specification	Pc	Nto Weight
1	90022481	FRAME	HITS (U-TUKIJALKAPALKKI)	1	281.75
2	90021856	PILLAR	KONEISTUS	1	264.32
3	90021823	BEAM	HITS+KON	1	34.42
4	90021819	CYLINDER BARREL	90-718	4	17
5	90021811	RACK BAR	90-848	2	22.25
6	90021815	PISTON	90	4	2.35
7	90021820	FLANGE	280/150-28	1	4
8	90020846	SLEEVE	120/110-50	1	0.7
9	90020845	FLANGE	145X90-10	1	1.25
10	90012821	BEARING	260/240-100	1	0.88
11	90016013	BEARING	97.6/85-189	2	0.13
12	3100331	ROLLER BEARING	23030CC/W33	1	7.45
13	3100218	BUSHING	WB 802 12050	1	0.38
14	3100187	BUSHING	WB 802 8080	2	0.41
15	3110930	SEAL	VA-300	1	1.63
16	3110565	SHAFT SEAL	150X180X15 RST	1	0.5
17	3110938	SEAL	OR 250X10 70SHORE	1	0.5
18	3110636	PISTON SEAL	B7 90/75X12	4	0.16
19	3110637	PISTON GUIDE	E/PWR 90/84X13	8	0.08
20	3110638	WIPER SEAL	PPW 90/81.4X5.3	4	0.05
21	3110771	O-RING	219.5X3.0 70 SHORE	1	0.04
22	3110461	O-RING	124.5X3.0 70 SHORE	2	0.02
23	3110639	O-RING	96X3.0 70 SHORE	4	0.02
24	3110040	USIT-SEAL	R-06 R 3/8"	4	0
25	3030080	WASHER	M14	8	0
26	3090040	CONNECTOR (STRAIGHT)	04000-06	2	0.06
27	3090475	CONNECTOR (ANGLE)	04500-26-06	2	0.12
28	3090209	PLUG		2	0.08
29	3090210	PLUG		2	0.03
30	3091042	BREATHER		1	0.11
31	3090294	OIL LEVEL INDICATOR		1	0.01
32	3060076	SNAP RING	AS 150X4 DIN 471	1	0
33	3010700	ALLEN SCREW	M16X30 8.8 ZN DIN 912	10	0
34	3010601	ALLEN SCREW	M14X60 12.9 DIN 912	40	0
35	3010246	ALLEN SCREW	M12X30 8.8 ZN DIN 912	4	0
36	3050003	GREASE NIPPLE	M8X1,25 DIN 71412	6	0

Item code	90022488	Revision	B
Title	SLEW MECHANNISM	Date	04.04.2008
Specification	23 KNM		

Pos	Item code	Title	Specification	Pc	Nto Weight
37	3091213	CONNECTOR	26-04880-06	2	0.13
37	3110640	SEAL KIT	90	1	0
38	3090930	CONNECTOR	INDEXATOR 1/2" 5001285	2	0.53
39	3110042	USIT-SEAL	R-08 R 1/2"	2	0.01
40	3090001	CONNECTOR (STRAIGHT)	04000-06-08	2	0.08
100	3131003S	HYDRAULIC HOSE	5751-06/HI-98C-06/5701-06/L=1700/SUOJASUKKA	4	

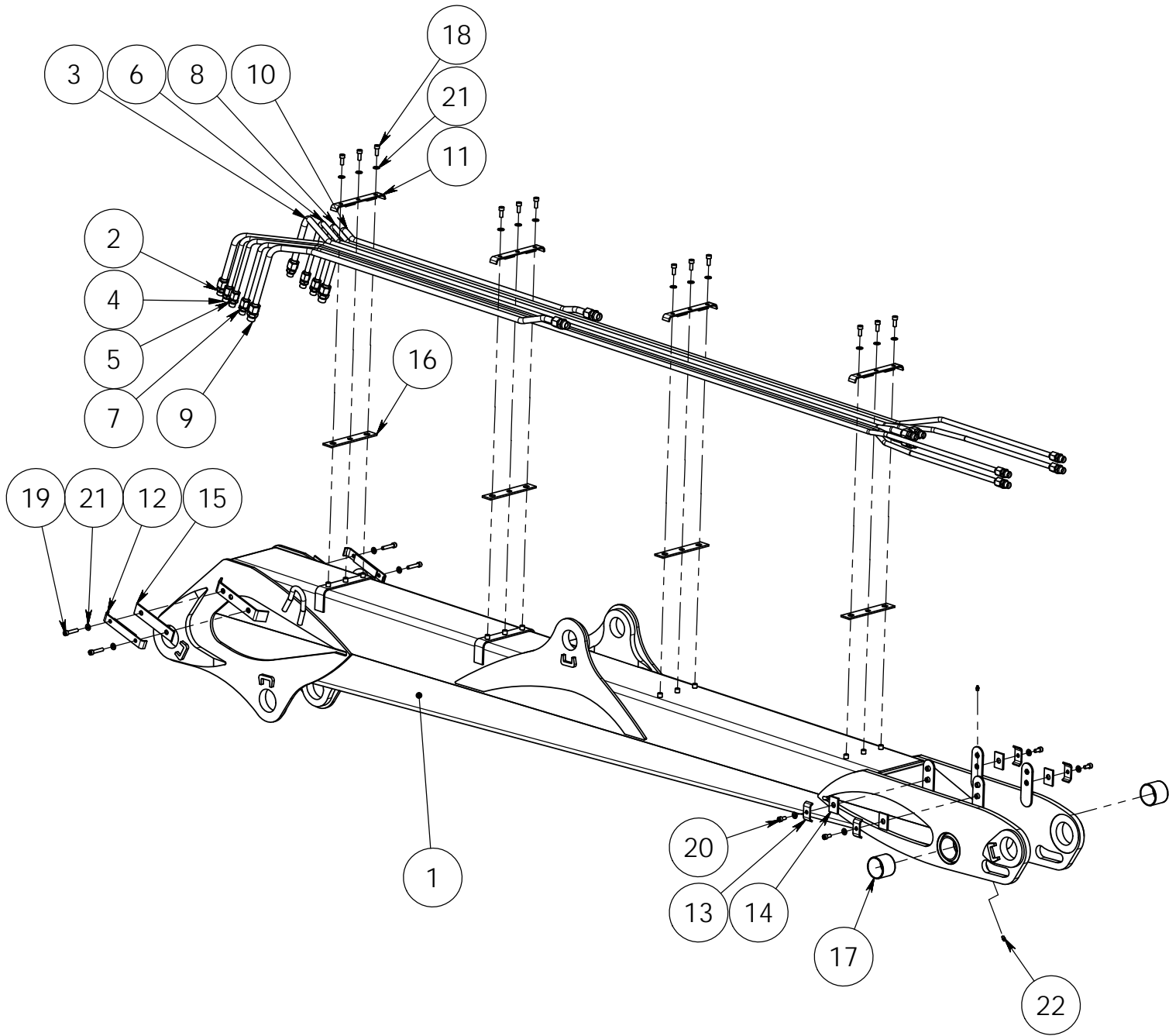


90022495 JALKA

VARAOSAT \ RESERVDELAR \ SPARE PARTS \ ERSATZTEIL

Item code	90022495	Revision	A
Title	FOOT	Date	15.04.2008
Specification	TUKIJALKAVAR		

Pos	Item code	Title	Specification	Pc	Nto Weight
1	90022488	SLEW MECHANNISM	23 kNm	1	672.75
2	90022477	ARM	HITS (U-TUKIJALKAPALKKI)	2	46.66
3	28812001	CYLINDER	50/30X2X600	1	8.11
4	28554001	CYLINDER	90/70X750	2	24.56
5	90021843	CABLE	OIKEA HITS	1	4.9
6	90021844	CABLE	VASEN HITS	1	4.9
7	90011249	AXLE	HITS	2	1.43
8	90012844	LEVER	10-120	2	0.16
9	90011250	FLANGE		2	0.73
10	90016090	FASTENER		2	0.35
11	90012841	SLEEVE	50/34-50	2	0.41
12	90013050	AXLE	30-102	2	0.57
13	90012843	SPINDLE	28/18-76	2	0.2
14	90020689	GLIDE PAD	40X55-7X5	2	0.03
15	90020807	GLIDE PAD		6	0.01
16	3100124	BEARING	PM 3020 DX	4	0.03
17	3120453	KNOB		2	0.25
18	3300533	SPRING	18/45/7.6/6.88 -1643 SF-TF3	2	0.02
19	3060019	SNAP RING	30 DIN 472	4	0
20	3050003	GREASE NIPPLE	M8X1,25 DIN 71412	2	0
21	3010049	SCREW	M20X150 8.8 ZN DIN 931	1	0
22	3010312	SCREW	M20X30 10.9 ZN DIN 913	6	0
23	3010700	SCREW	M16X30 8.8 ZN DIN 912	8	0
24	3010048	SCREW	M12X30 8.8 ZN DIN 933	10	0
25	3010239	SCREW	M12X25 8.8 ZN DIN 912	8	0
26	3010328	SCREW	M8X90 8.8 ZN DIN 931	2	0
27	3010441	SCREW	M8X40 8.8 ZN DIN 931	2	0
28	3020014	NUT	M20 ZN DIN 936	6	0
29	3020005	NUT	M12 ZN DIN 985	8	0.02
30	3020001	NUT	M8 ZN DIN 985	4	0.01
31	3030122	WASHER	M12 ZN DIN 440	2	0.04
32	3030047	WASHER	M12/13 ZN DIN 126	8	0.01
33	3110934	SEAL	O 94,5X3 70 SHORE	4	0.02
34	3110259	SEAL	104.5X3 90 SHORE	4	0.02
35	3010685	SCREW	M10X25 8.8 ZN DIN 912	1	0

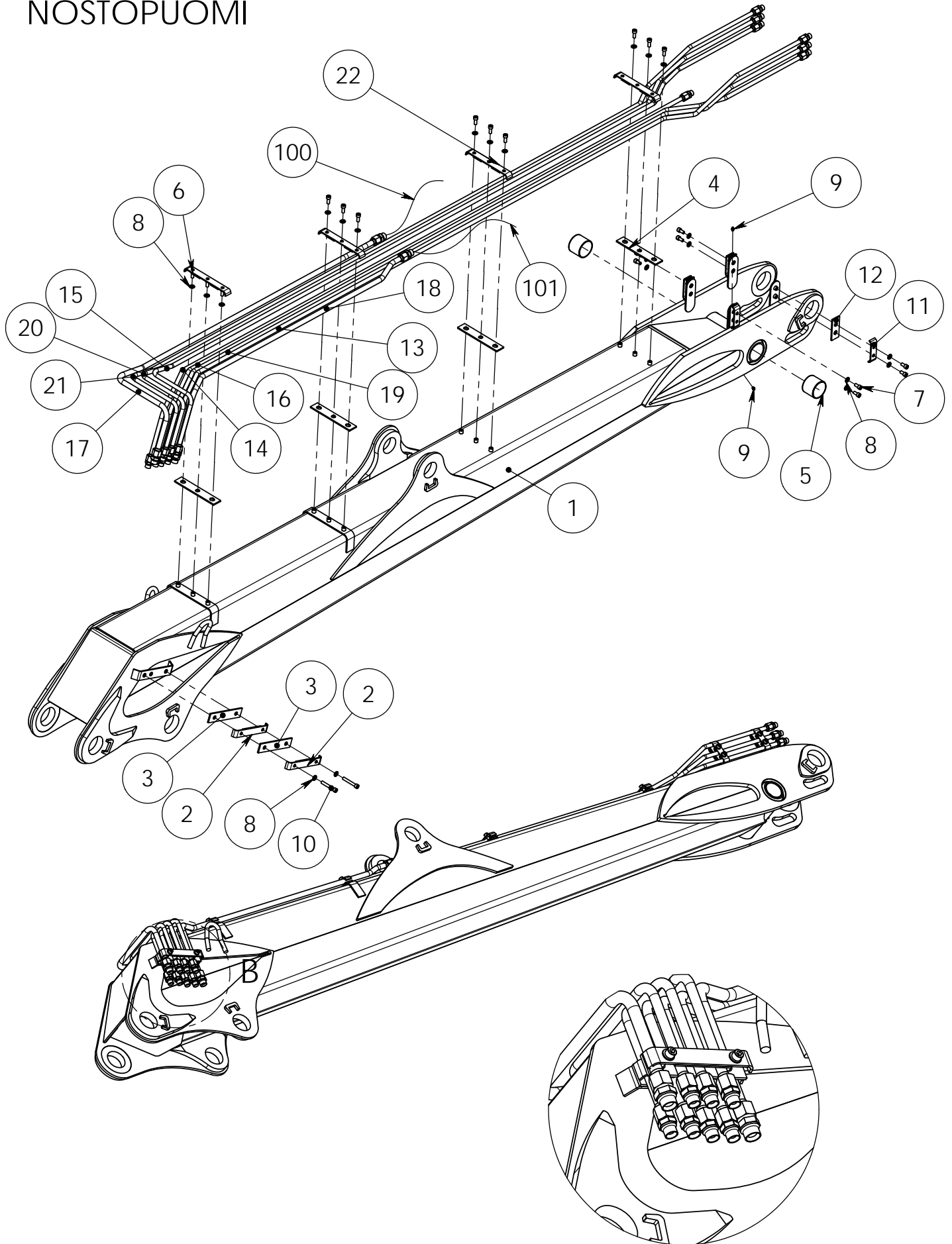


Item code	90022560	Revision	B
Title	LIFT BOOM	Date	29.05.2008
Specification	L=4050 OPEN-TYPE		

Pos	Item code	Title	Specification	Pc	Nto Weight
1	90022559	LIFT BOOM	L=4050	1	308.13
2	90021993	PIPE	1 RIGHT KOK	1	4.02
3	90022003	PIPE	1 LEFT KOK	1	4.42
4	90021996	PIPE	2 RIGHT KOK	1	2.94
5	90021994	PIPE	3 RIGHT KOK	1	3.3
6	90022004	PIPE	3 LEFT KOK	1	3.3
7	90021997	PIPE	4 RIGHT KOK	1	3.27
8	90022005	PIPE	4 LEFT KOK	1	3.27
9	90021992	PIPE	5 RIGHT KOK	1	2.57
10	90022006	PIPE	5 LEFT KOK	1	2.57
11	90021956	FASTENER	HITS	4	0.31
12	90021960	FASTENER	HITS	2	0.3
13	90010442	FASTENER	LT4X30-72	4	0.07
14	90010443	RUBBER	5X55-40	4	0.01
15	90021961	RUBBER	5X40-190	2	0.05
16	90013489	RUBBER	5X40X220	4	0.06
17	3100185	BUSHING	WB 802 7060	2	0.27
18	3010685	ALLEN SCREW	M10X25 8.8 ZN DIN 912	12	0
19	3010137	ALLEN SCREW	M10X50 8.8 ZN DIN 912	4	0
20	3010192	ALLEN SCREW	M10X20 8.8 ZN DIN 912	4	0
21	3030003	WASHER	M10/11 ZN DIN 126	20	0
22	3050003	GREASE NIPPLE	M8X1,25 DIN 71412	2	0
100	3131151	HYDRAULIC HOSE	5601-12/33-12/5601-12/L=1200	1	
101	3132785	HYDRAULIC HOSE	5701-12/HI-33-12/5701-12/L=900	1	

90025271

NOSTOPUOMI



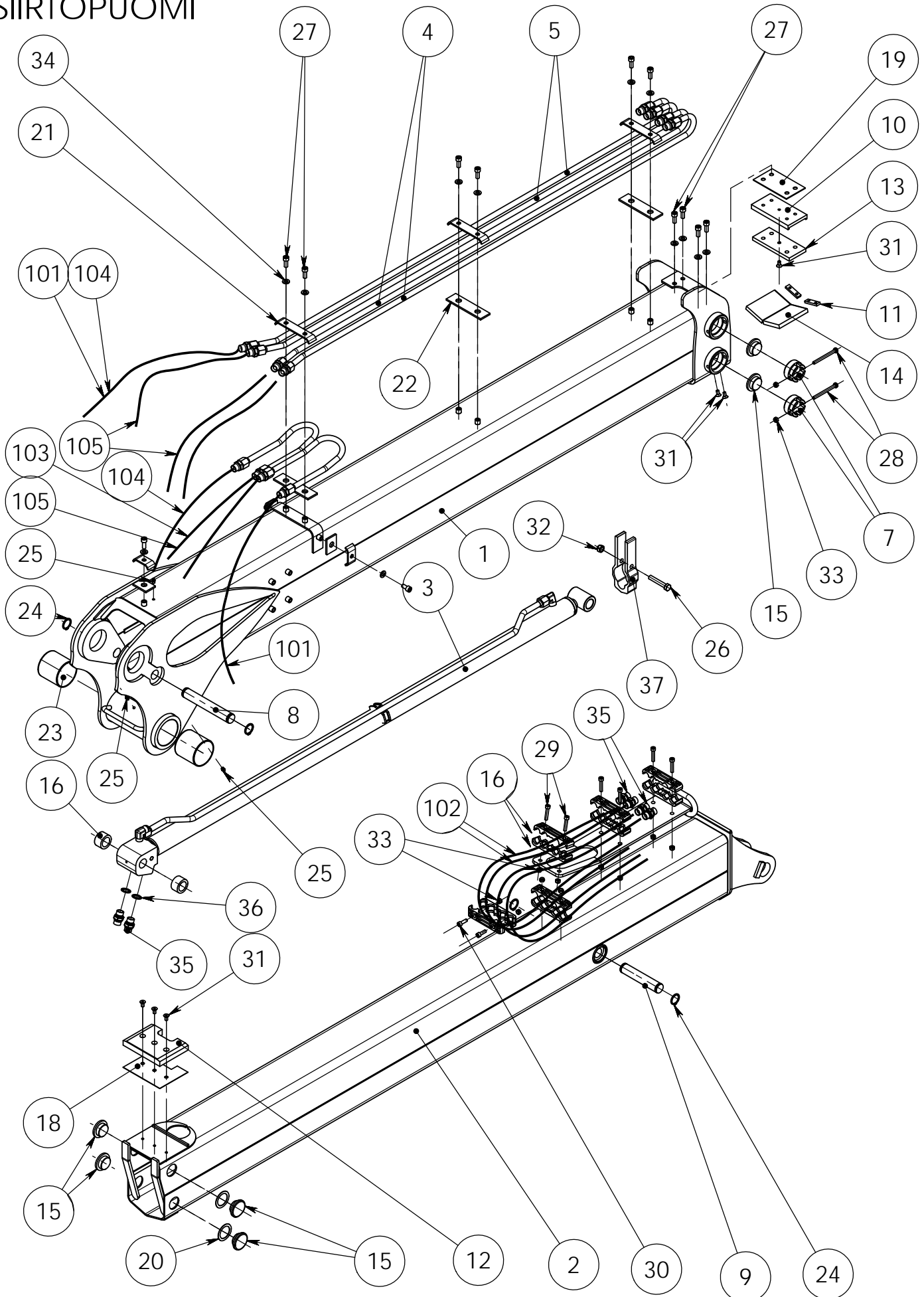
DETAIL B
SCALE 1 : 8

Item code	90025271	Revision	-
Title	LIFT BOOM	Date	05.01.2012
Specification	L=4050 CAB		

Pos	Item code	Title	Specification	Pc	Nto Weight
1	90022559	LIFT BOOM	L=4050	1	308.13
2	90021960	FASTENER	HITS	2	0.3
3	90021961	RUBBER	5X40-190	2	0.05
4	90013489	RUBBER	5X40X220	4	0.06
5	3100185	BUSHING	WB 802 7060	2	0.27
6	3010685	ALLEN SCREW	M10X25 8.8 ZN DIN 912	12	0
7	3010192	ALLEN SCREW	M10X20 8.8 ZN DIN 912	8	0
8	3030003	WASHER	M10/11 ZN DIN 126	22	0
9	3050003	GREASE NIPPLE	M8X1,25 DIN 71412	2	0
10	3010274	ALLEN SCREW	M10X70 8.8 ZN DIN 912	2	0
11	90013168	FASTENER	4X30-112	4	0.1
12	90013174	RUBBER		4	0.02
13	90025299	PIPE	4 RIGHT	1	3
14	90025278	PIPE	1 RIGHT	1	2.67
15	90025275	PIPE	1 LEFT	1	3.1
16	90025274	PIPE	2 RIGHT	1	3.04
17	90022018	PIPE	5 LEFT KOK	1	2.96
18	90021992	PIPE	5 RIGHT KOK	1	2.57
19	90025297	PIPE	3 RIGHT	1	3.02
20	90025301	PIPE	2 LEFT	1	3.14
21	90025304	PIPE	3 LEFT	1	3.17
22	90021956	FASTENER	HITS	4	0.31
100	3131151	HYDRAULIC HOSE	5601-12/33-12/5601-12/L=1200	1	
101	3132785	HYDRAULIC HOSE	5701-12/HI-33-12/5701-12/L=900	1	

90025444

SIIRTOPUOMI



18, 19, 20 vain tarvittaessa

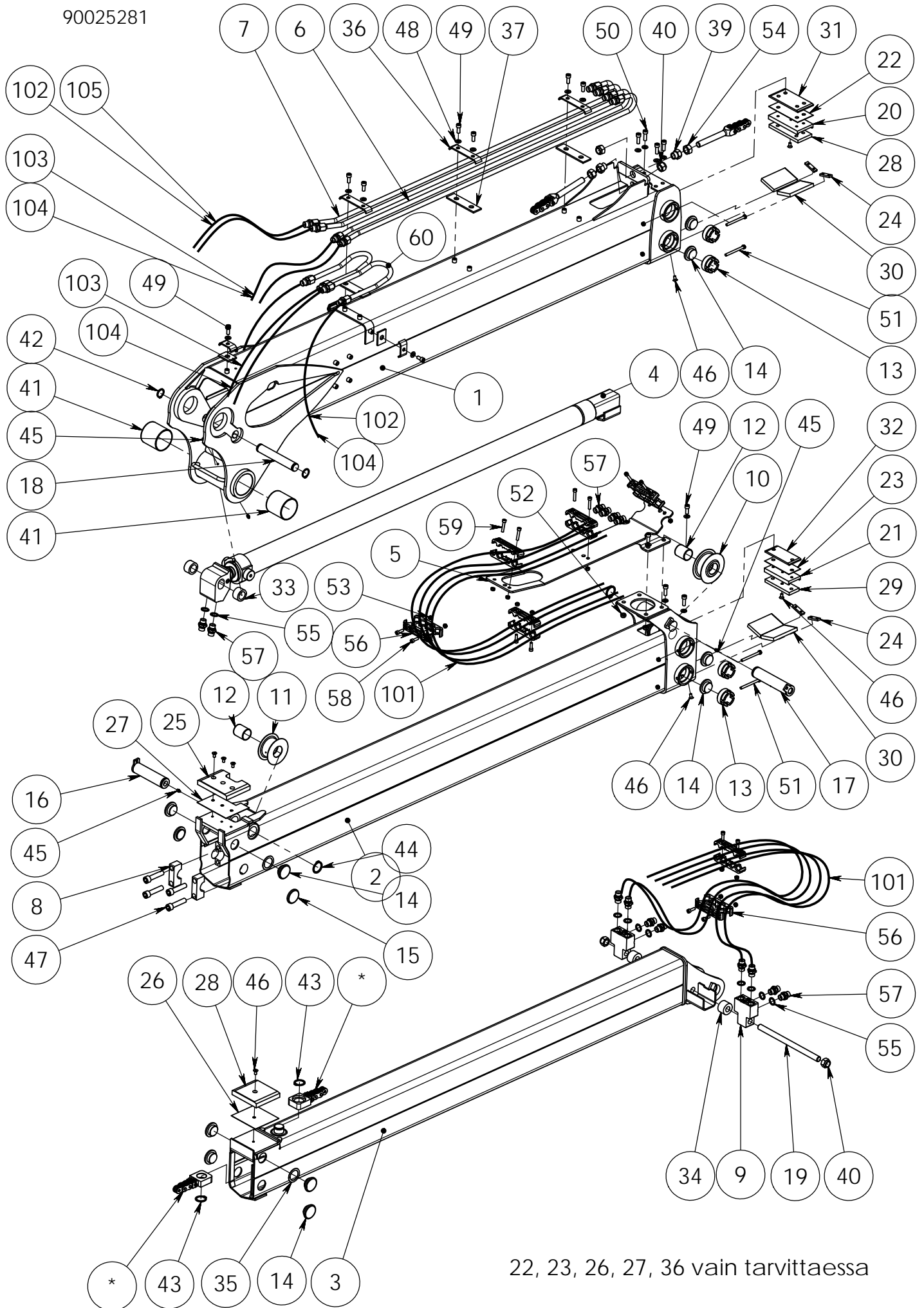
Item code	90025444	Revision	-
Title	OUTER BOOM	Date	19.04.2012
Specification	1 EXTENSION		

Pos	Item code	Title	Specification	Pc	Nto Weight
1	90022758	OUTER BOOM	L=2395	1	120.44
2	90022759	EXTENSION	L=2574	1	74.78
3	28586001	CYLINDER	50/30X1600	1	6.84
4	90019691	PIPE	16-1850 RIGHT	2	1.92
5	90019692	PIPE	16-1850 LEFT	2	1.92
6	90025280	PIPE	EXTENSION CYLINDER	2	0.74
7	90016090	FASTENER		4	0.35
8	90021934	AXLE	30X196	1	1.08
9	90014885	AXLE	30-154	1	0.85
10	90014762	FASTENER		1	1.01
11	90010345	HOLDER		2	0.03
12	90021936	GLIDE PAD	20X120X155	1	0.31
13	90014766	GLIDE PAD	12x70x155	1	0.12
14	90012374	GLIDE PAD	70X 120	2	0.1
15	90011001	GLIDE PAD	D=55-19/7	8	0.03
16	90021928	SLEEVE	45/31-26	2	0.02
17	3301209	FASTENER	140X30X30 MUOVI	10	0.26
18	90017085	PLATE	119X155	1	0.13
19	90015125	WASHER	2.0X80X140	1	0.17
20	21039422	SHIM	1XD=55	2	0.01
21	90012248	FASTENER	4X30-152	3	0.14
22	90010444	RUBBER	5X40-145	3	0.04
23	3100187	BUSHING	WB 802 8080	2	0.41
24	3060092	SNAP RING	AS 30X2 ZN DIN 471	4	0
25	3050003	GREASE NIPPLE	M8X1.25 DIN 71412	3	0
26	3010152	HEW SCREW	M12X70 8.8 ZN DIN 931	1	0
27	3010685	ALLEN SCREW	M10X25 8.8 ZN DIN 912	11	0
28	3010328	HEW SCREW	M8X90 8.8 ZN DIN 931	4	0
29	3010250	ALLEN SCREW	M8X40 8.8 ZN DIN 912	6	0
30	3010291	ALLEN SCREW	M8X25 8.8 ZN DIN 912	4	0
31	3010190	ALLEN SCREW	M8X16 10.9 DIN 7991	8	0
32	3020005	NUT	M12 ZN DIN 985	1	0.02
33	3020001	NUT	M8 ZN DIN 985	14	0.01
34	3030003	WASHER	M10/11 ZN DIN 126	13	0
35	3090019	CONNECTOR (STRAIGHT)	04000-08 R1/2"	6	0.1
36	3110042	USIT-SEAL	R-08 R 1/2"	2	0.01

Item code	90025444	Revision	-
Title	OUTER BOOM	Date	19.04.2012
Specification	1 EXTENSION		

Pos	Item code	Title	Specification	Pc	Nto Weight
37	90017083	SUPPORT	NURJAH DUSTUKI	1	1.1
38	90010443	RUBBER	5X55-40	3	0.01
39	90010442	FASTENER	LT4X30-72	3	0.07
40	3010192	ALLEN SCREW	M10X20 8.8 ZN DIN 912	2	0
101	3130456	HYDRAULIC HOSE	5201-08/HI-98C-08/5201-08/L=1050	6	0.84
102	3130473	HYDRAULIC HOSE	5201-08/HI-98C-08/5201-08/L=1900	4	
103	3133125	HYDRAULIC HOSE	A50051-08-08/261E-08/A50001-08-08/L=1100	2	0
104	3132549	HOSE PROTECTIVE SPIRAL	BLACK D=50	1	
105	3130979	HOSE PROTECTIVE SPIRAL	D=32	2	0.18

90025281



22, 23, 26, 27, 36 vain tarvittaessa

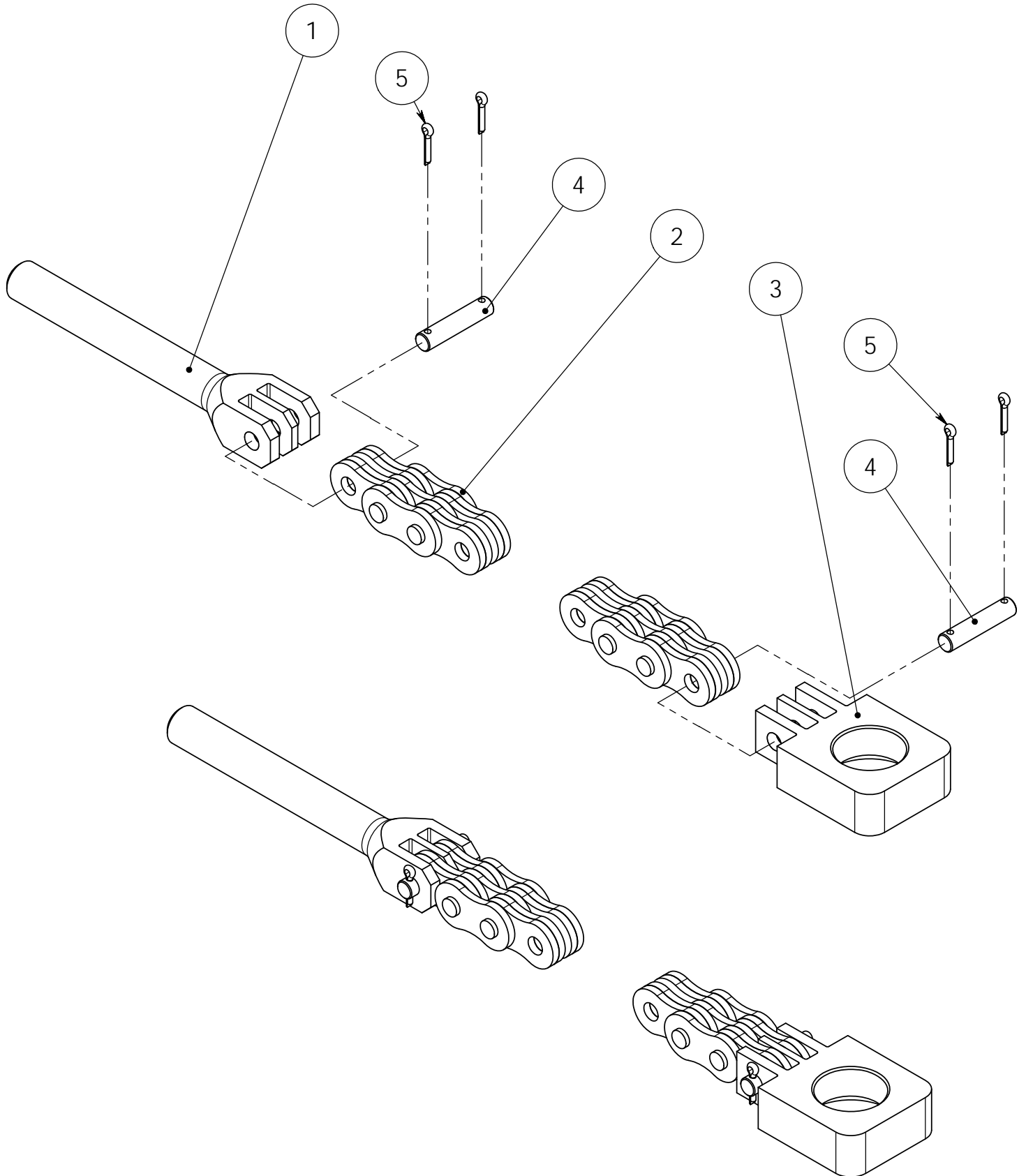
Item code	90025281	Revision	-
Title	OUTER BOOM	Date	09.01.2012
Specification	2 EXTENSIONS		

Pos	Item code	Title	Specification	Pc	Nto Weight
1	90022604	OUTER BOOM	L=2235	1	121.15
2	90022614	EXTENSION 1	L=2408	1	75.63
3	90022621	EXTENSION 2	L=2364	1	55.58
4	28581001	CYLINDER	70/40X1600	1	43.54
5	90021904	GUIDANCE	HITS	1	6
6	90021906	PIPE	1 RIGHT KOK	2	1.75
7	90021908	PIPE	1 LEFT KOK	2	1.75
8	90021909	COVER		2	0.4
9	90021920	CONNECTOR		2	1.66
10	90021697	WHEEL	R1", 3X4, D90	1	1.96
11	90010136	WHEEL	D=75	1	1.34
12	3100188	BUSHING	WB 802 4050	2	0.1
13	90016090	FASTENER		8	0.35
14	90011001	GLIDE PAD	D=55-19/7	14	0.03
15	90020689	GLIDE PAD	40X55-7X5	2	0.03
16	90021930	AXLE	40-156 HITS	1	1.52
17	90021933	AXLE	40-184 HITS	1	1.79
18	90021934	AXLE	30X196	1	1.08
19	90021935	SCREW	M20-320	1	0.79
20	90014762	FASTENER		1	1.01
21	90014763	FASTENER		1	0.65
22	90015124	PLATE	80 X 155	1	0.09
23	90015142	PLATE	60 X 130	1	0.06
24	90010345	HOLDER		4	0.03
25	90021936	GLIDE PAD	20X120X155	1	0.31
26	90017020	WASHER	1X119X130	1	0.12
27	90017085	PLATE	119X155	1	0.13
28	90021937	GLIDE PAD	20X120X130	1	0.29
29	90014766	GLIDE PAD	12x70x155	1	0.12
30	90014770	GLIDE PAD	50X130	1	0.07
31	90012374	GLIDE PAD	70X 120	4	0.1
32	90021950	GLIDE PAD	6X60X130	1	0.07
33	90021952	GLIDE PAD	6X60X130	1	0.04
34	90021928	SLEEVE	45/31-26	2	0.02
35	90021953	SLEEVE	45/21-30	2	0.04
36	21039422	SHIM	1XD=55	2	0.01

Item code	90025281	Revision	-
Title	OUTER BOOM	Date	09.01.2012
Specification	2 EXTENSIONS		

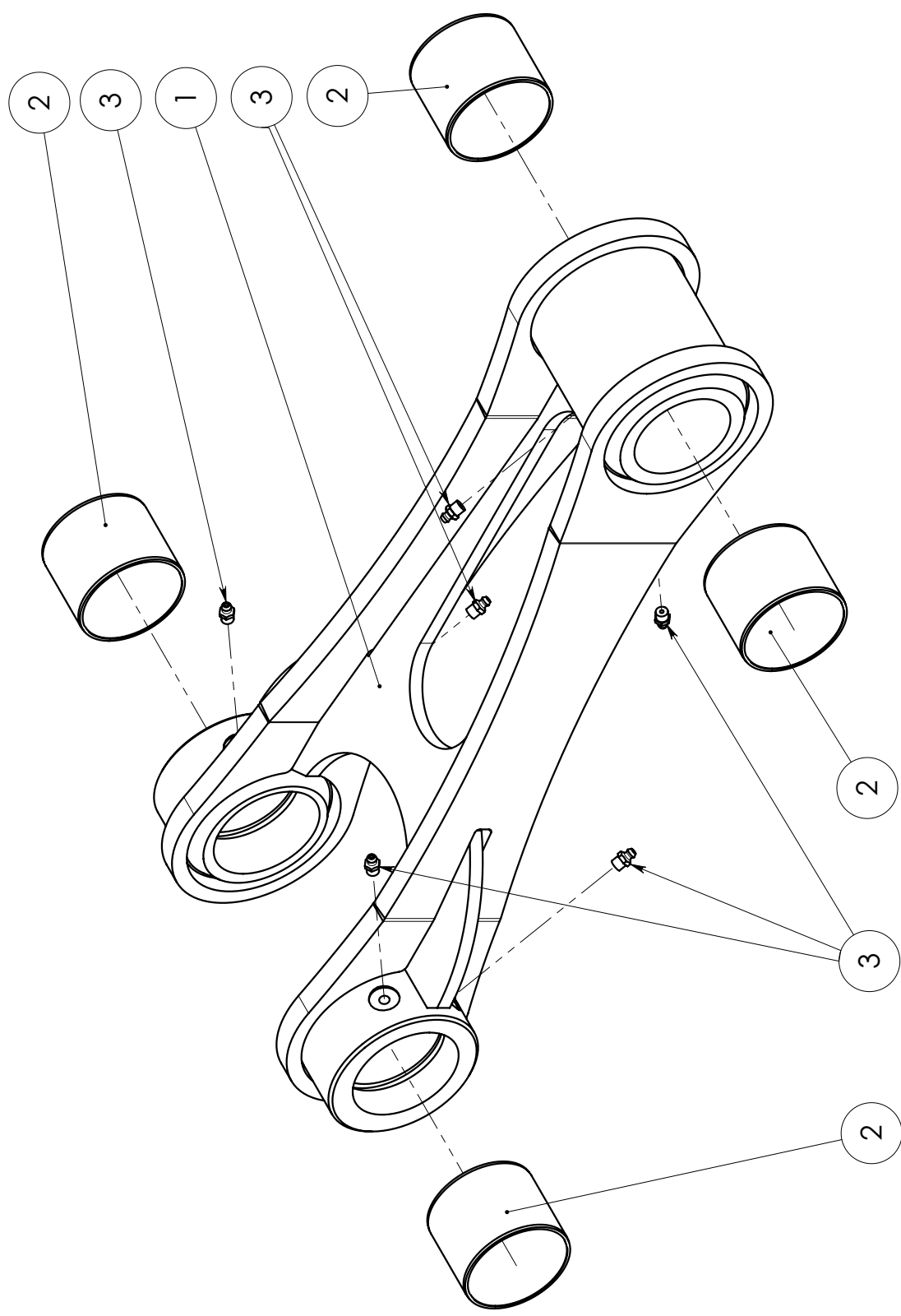
Pos	Item code	Title	Specification	Pc	Nto Weight
37	90012248	FASTENER	4X30-152	3	0.14
38	90010444	RUBBER	5X40-145	3	0.04
39	90021892	CHAIN	3X4 (81 LENKKIÄ) KOK	2	1.42
40	90017520	NUT	M20-30	2	0.09
41	3020009	NUT	M20 ZN DIN 985	4	0.07
42	3100187	BUSHING	WB 802 8080	2	0.41
43	3060092	SNAP RING	AS 30X2 ZN DIN 471	2	0
44	3060091	SNAP RING	AS 35X2.5 ZN DIN 471	2	0.01
45	3060100	SNAP RING	AS 40X2.5 ZN DIN 471	2	0
46	3050003	GREASE NIPPLE	M8X1,25 DIN 71412	5	0
47	3010190	ALLEN SCREW	M8X16 10.9 DIN 7991	14	0
48	3010277	ALLEN SCREW	M16X70 12.9 ZN DIN 912	4	0
49	3030003	WASHER	M10/11 ZN DIN 126	19	0
50	3010685	ALLEN SCREW	M10X25 8.8 ZN DIN 912	11	0
51	3010248	ALLEN SCREW	M10X30 8.8 ZN DIN 912	6	0
52	3010328	HEW SCREW	M8X90 8.8 ZN DIN 931	8	0
53	3020004	NUT	M10 ZN DIN 985	4	0.01
54	3020001	NUT	M8 ZN DIN 985	22	0.01
55	3020032	NUT	M20 ZN DIN 934/8	2	0
56	3110042	USIT-SEAL	R-08 R 1/2"	10	0.01
57	3301209	FASTENER	140X30X30 MUOVI	14	0.26
58	3090019	CONNECTOR (STRAIGHT)	04000-08 R1/2"	14	0.1
59	3010291	ALLEN SCREW	M8X25 8.8 ZN DIN 912	8	0
60	3010250	ALLEN SCREW	M8X40 8.8 ZN DIN 912	6	0
61	90025280	PIPE	EXTENSION CYLINDER	2	0.74
62	90010442	FASTENER	LT4X30-72	3	0.07
63	90010443	RUBBER	5X55-40	3	0.01
64	3010192	ALLEN SCREW	M10X20 8.8 ZN DIN 912	2	0
101	3132566	HYDRAULIC HOSE	5701-08/HI84-08/5701-08/L=2070	8	
102	3130456	HYDRAULIC HOSE	5201-08/HI-98C-08/5201-08/L=1050	6	0.84
103	3133125	HYDRAULIC HOSE	A50051-08-08/261E-08/A50001-08-08/L=1100	2	0
104	3130979	HOSE PROTECTIVE SPIRAL	D=32	1	0.18
105	3132549	HOSE PROTECTIVE SPIRAL	BLACK D=50	1	

90021892
3 x 4 / 81 LINKS



Item code	90021892	Revision	A
Title	CHAIN	Date	13.06.2007
Specification	3X4 (81 LENKKIÄ) KOK		

Pos	Item code	Title	Specification	Pc	Nto Weight
1	90021136	TENSIONER	R 1"	1	0.52
2	3190118	CHAIN	LH1634 R 1" L=2057 81 LENKKIÄ	1	0.33
3	90021137	CONNECTOR	R 1"	1	0.53
4	3190184	PIN	LIITINTAPPI D=9,53-43,7 KETJULLE BL834	2	0.02
5	3040060	COTTER PIN	3,2X20 ZN DIN 94	4	0

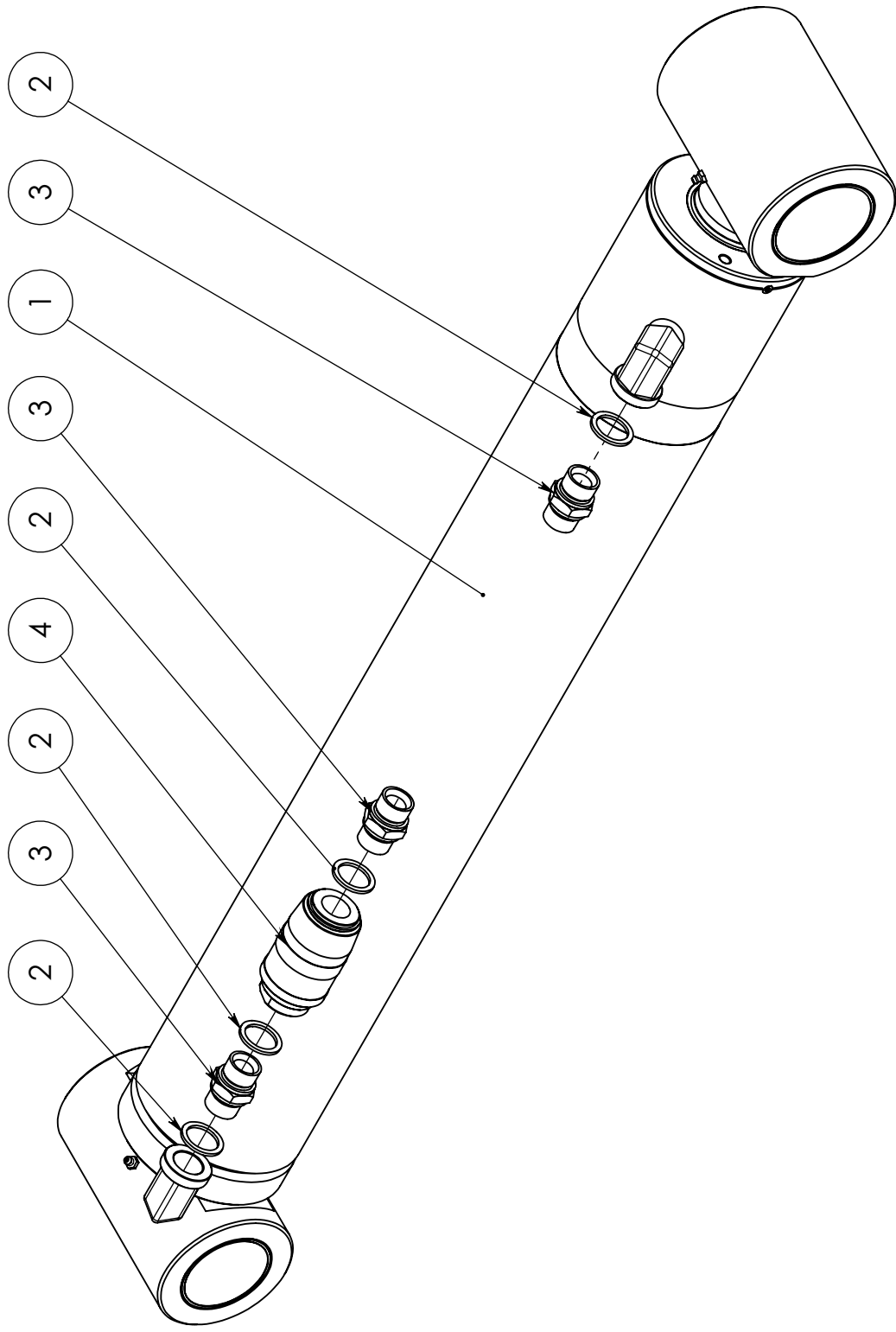


90016039 TANKO

VARAOSAT \ RESERVDELAR \ SPARE PARTS \ ERSATZTEIL

Item code	90016039	Revision	-
Title	DRAW BAR	Date	10.06.2008
Specification			

Pos	Item code	Title	Specification	Pc	Nto Weight
1	90016034	LINK	HITS+KON	1	20.51
2	3100185	BUSHING	WB 802 7060	4	0.27
3	3050003	GREASE NIPPLE	M8X1,25 DIN 71412	6	0

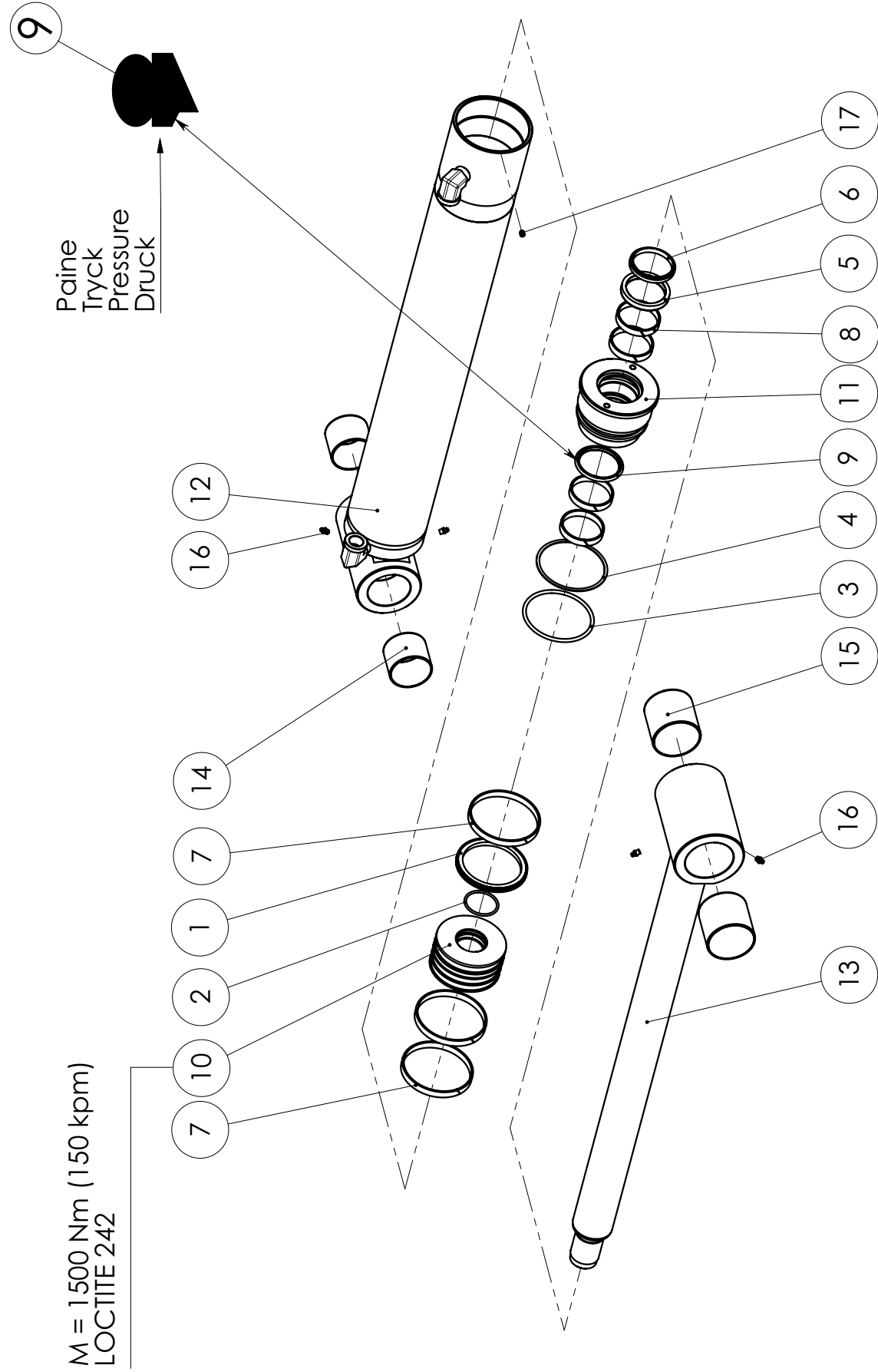


NOSTO-
90022565 SYLINTERI

VARAOSAT \ RESERVDELAR \ SPARE PARTS \ ERSATZTEIL

Item code	90022565	Revision	-
Title	CYLINDER	Date	03.06.2008
Specification	125/70 X 810 NOSTO		

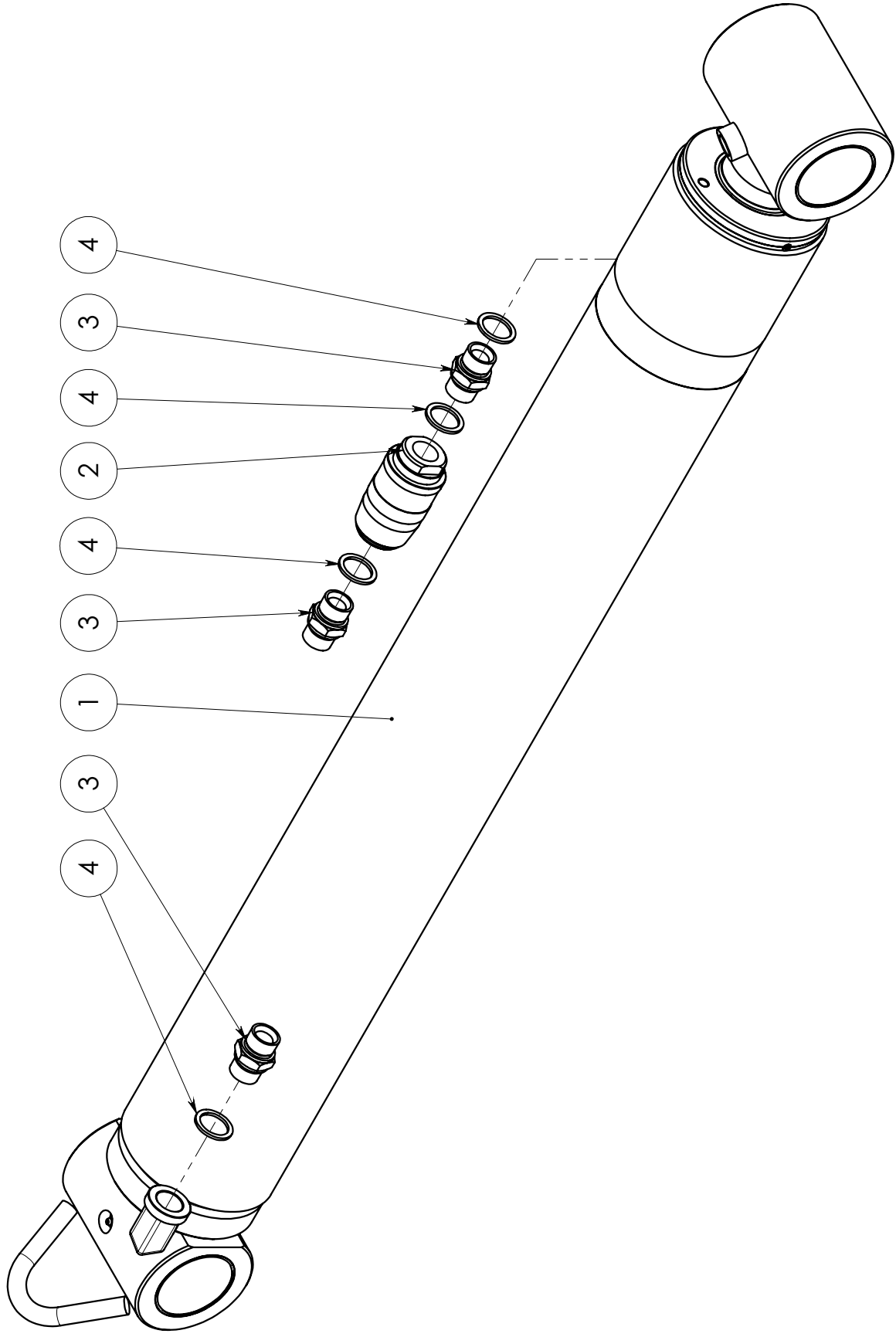
Pos	Item code	Title	Specification	Pc	Nto Weight
1	28829001	CYLINDER	125/70X810	1	88.12
2	3110130	USIT-SEAL	R-12 R 3/4"	4	0.01
3	3090185	CONNECTOR (STRAIGHT)	04000-12	3	0.14
4	3120235	CHECK VALVE		1	1.24



28829001 SYLINTERI

Item code	28829001	Revision	-
Title	CYLINDER	Date	29.05.2008
Specification	125/70X810		

Pos	Item code	Title	Specification	Pc	Nto Weight
1	3110732	PISTON SEAL	OK 125/104X8	1	0.23
2	3110203	O-RING	53.57X3.53 90 SHORE	1	0.01
3	3110451	O-RING	114.2X5.7 90 SHORE	1	0.08
4	3110452	SUPPORTING RING	125/115X1.7 PU	1	0.03
5	3110195	ROD SEAL	70/85X11.4	1	0.13
6	3110196	WIPER SEAL	GA 70/80X7/10	1	0.07
7	3110682	PISTON GUIDE	E/PWR 125/119X13	3	0.11
8	3110733	GUIDANCE	I/PWR 70/76X13	4	0.07
9	3110197	ROD SEAL	OMS-MR 70/85.1X6	1	0.07
10	3110659	O-RING	106X3 70 SHORE	1	0.02
11	28579201	PISTON	125 (OK)	1	4.88
12	28579202	GUIDANCE	125/70	1	5.55
13	28829101	CYLINDER BARREL	127/70-810	1	36.38
14	28829204	PISTON ROD	125/70-810	1	38.7
15	3100185	BUSHING	WB 802 7060	2	0.27
16	3100187	BUSHING	WB 802 8080	2	0.41
17	3050003	GREASE NIPPLE	M8X1,25 DIN 71412	4	0
1-9	3110734	SEAL KIT	125/70	1	

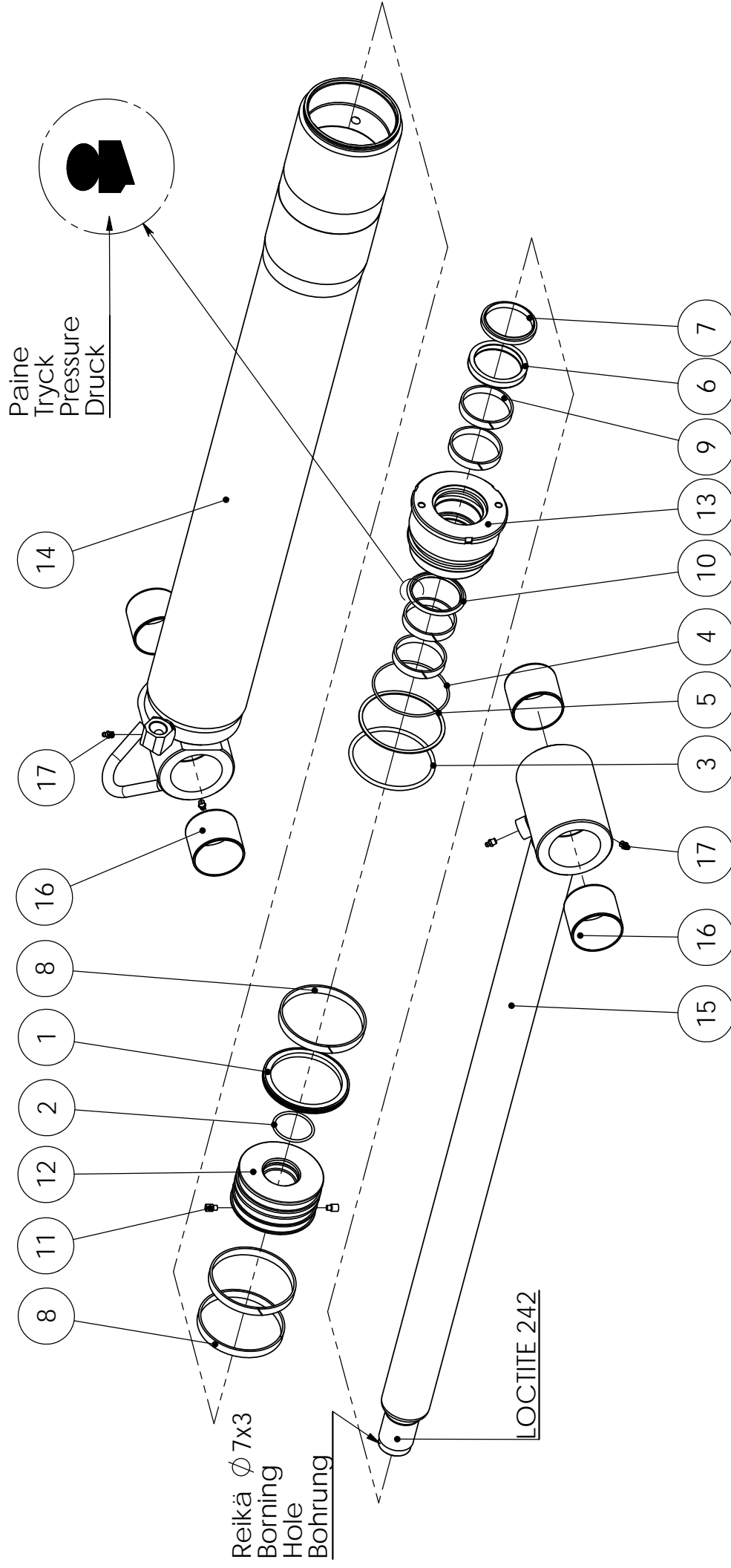


90017040 SYLINTERI

VARAOSAT \ RESERVDELAR \ SPARE PARTS \ ERSATZTEIL

Item code	90017040	Revision	-
Title	CYLINDER	Date	11.08.2008
Specification	125X70X 1020 VARUSTELU		

Pos	Item code	Title	Specification	Pc	Nto Weight
1	28580001	CYLINDER	125/70X1020	1	72.12
2	3120235	CHECK VALVE		1	1.24
3	3090185	CONNECTOR (STRAIGHT)	04000-12	3	0.14
4	3110130	USIT-SEAL	R-12 R 3/4"	4	0.01



28580001 SYLINTERI

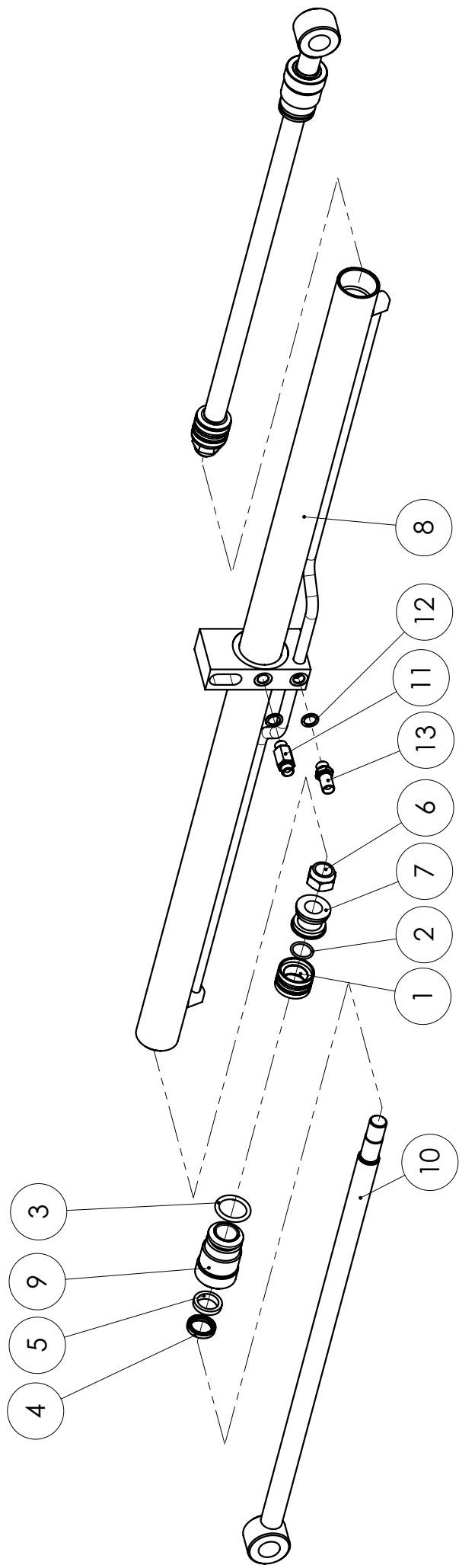
VARAOSAT \ RESERVDELAR \ SPARE PARTS \ ERSATZTEIL



SPARE PART LIST

Item code	28580001	Revision	-
Title	SYLINTERI	Date	01.11.2007
Specification	125/70X1020		

Pos	Item code	Title	Specification	Dimensions	Pc	Amount	Unit	Nto Weight
1	3110732	MÄNNÄNTIIVISTE KOLV TÄTNING PISTON SEAL KOLBENDICHTUNG	OK 125/104X8		1			0.23
2	3110203	TIIVISTE TÄTNING SEAL DICHTUNG	53.57X3.53 90 SHORE		1			0.01
3	3110451	TIIVISTE TÄTNING SEAL DICHTUNG	114.2X5.7 90 SHORE		1			0.08
4	3110659	TIIVISTE TÄTNING SEAL DICHTUNG	106X3 70 SHORE		1			0.02
5	3110452	TIIVISTE TÄTNING SEAL DICHTUNG	125/115X1.7 PU		1			0.03
6	3110195	TIIVISTE TÄTNING SEAL DICHTUNG	70/85X11.4		1			0.13
7	3110196	TIIVISTE TÄTNING SEAL DICHTUNG	GA 70/80X7/10		1			0.07
8	3110682	OHJAIN STYRNING GUIDANCE STEUERUNG	E/PWR 125/119X13		3			0.11
9	3110733	OHJAIN STYRNING GUIDANCE STEUERUNG	I/PWR 70/76X13		4			0.07
10	3110197	TIIVISTE TÄTNING SEAL DICHTUNG	OMS-MR 70/85.1X6		1			0.07
11	3010240	RUUVI SKRUV SCREW SCHRAUBE	M10X16 8.8 ZN DIN 915		2			0
12	28579201	MÄNTÄ KOLV PISTON KOLBEN	125 (OK)	L=83	1			4.88
13	28579202	OHJAIN STYRNING GUIDANCE STEUERUNG	125/70	L=98	1			5.56
14	28580101	SYLINTERIPUTKI CYLINDERROHR	125/70 X 1020		1			52.18
15	28580204	MÄNNÄNVARSI KOLVSTANG PISTON ROD KOLBENSTANGE	125/70 X 1020		1			7.18
16	3100185	LAAKERI LAGER BEARING LAGER	WB 802 7060		4			0.27
17	3050003	RASVANIPPA SMÖRJNIPPEL GREASE NIPPLE SCHMIERNIPPEL	M8X1.25 DIN 71412		4			0
1-9	3110734	TIIVISTE TÄTNING SEAL DICHTUNG	125/70		1			



28812001

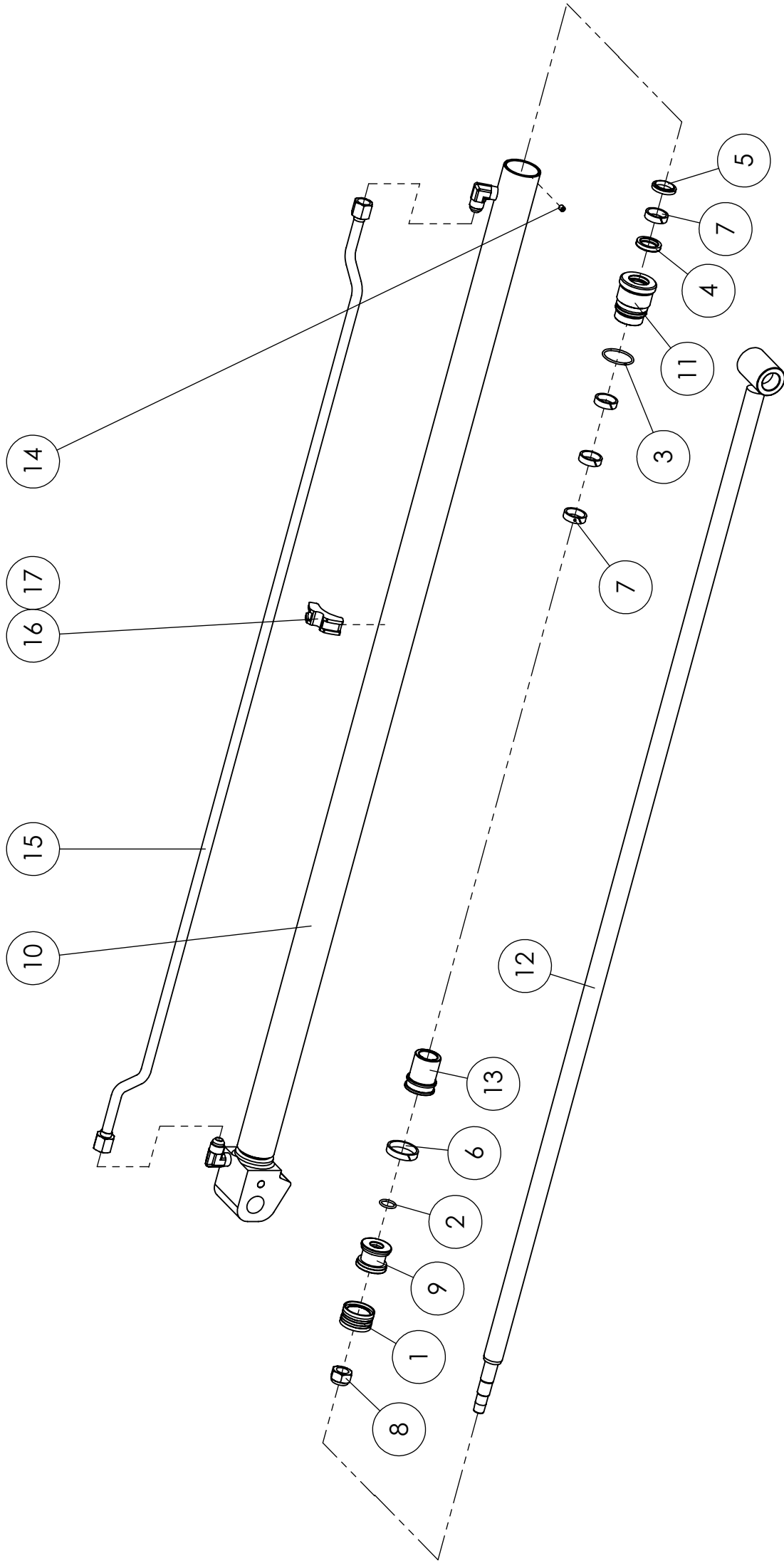
SYLINTERI

50/30 - 2x600

VARAOSAT \ RESERVDELAR \ SPARE PARTS \ ERSATZTEIL

Item code	28812001	Revision	-
Title	CYLINDER	Date	06.06.2007
Specification	50/30X2X600		

Pos	Item code	Title	Specification	Pc	Nto Weight
1	3110013	PISTON SEAL	DAS 50/34X18	2	0.18
2	3110003	O-RING	26.2X3 70 SHORE	2	0.01
3	3110288	O-RING	39.2X5.7 90 SHORE	2	0.03
4	3110030	ROD SEAL	T22 30/40X7.3	2	0.02
5	3110313	WIPER SEAL	GA 30/40X7/10	2	0.03
6	3020026	NUT	M24 ZN DIN 985	2	0.11
7	28337201	PISTON	D=50 DBM	2	0.26
8	28812101	CYLINDER BARREL	50/30X2X600	1	4.83
9	28337202	GUIDANCE	50/30	2	0.82
10	28812204	PISTON ROD	50/30X2X600	2	4.92
1-5	3110324	SEAL KIT	50/30	1	



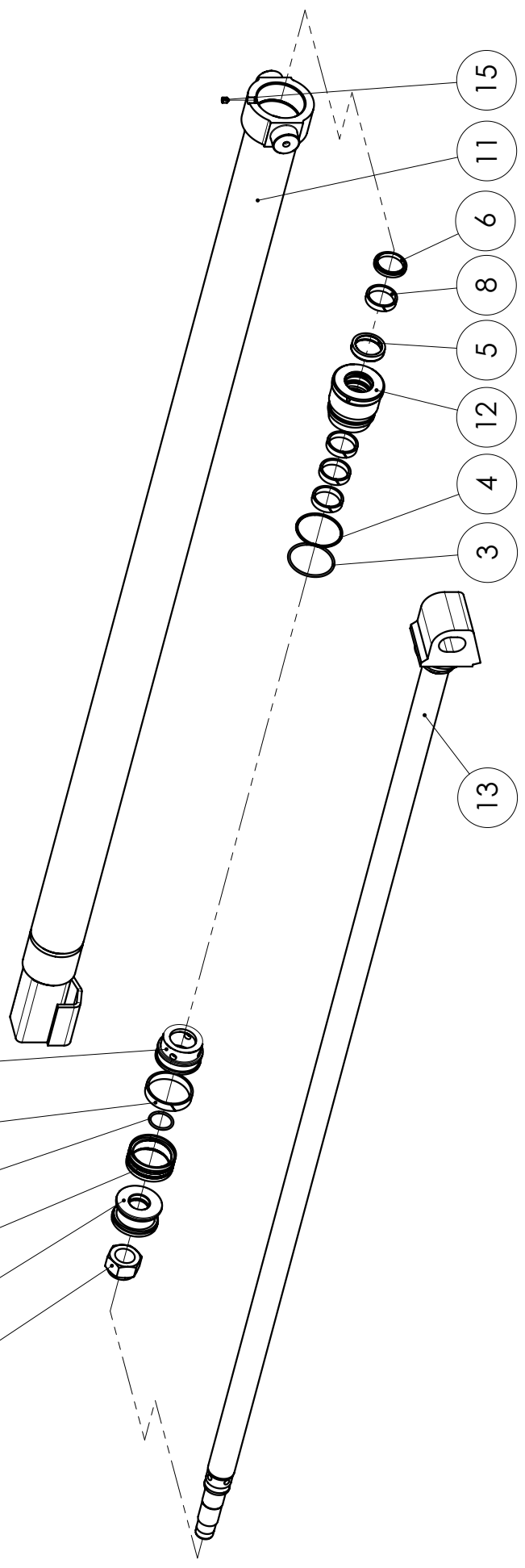
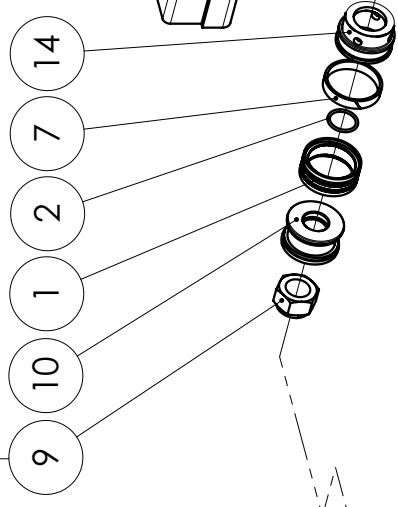
28586001 SYLINTERI

VARAOSAT \ RESERVDELAR \ SPARE PARTS \ ERSATZTEIL

Item code	28586001	Revision	-
Title	CYLINDER	Date	30.10.2007
Specification	50/30X1600		

Pos	Item code	Title	Specification	Pc	Nto Weight
1	3110231	PISTON SEAL	TPS 50/38X20	1	0.14
2	3110261	O-RING	21.2X3 90 SHORE	1	0
3	3110669	O-RING	45X3 90 SHORE	1	0.01
4	3110030	ROD SEAL	T22 30/40X7.3	1	0.02
5	3110027	WIPER SEAL	PW 30	1	0.02
6	3110677	PISTON GUIDE	E/PWR 50/44X10	1	0.03
7	3110741	GUIDANCE	I/PWR 30/36X10	4	0.02
8	3020009	NUT	M20 ZN DIN 985	1	0.07
9	28395201	PISTON	50 (PDO)	1	0.31
10	28586101	CYLINDER BARREL	50/30-1600	1	3.84
11	28586202	GUIDANCE	50/30	1	0.61
12	28586204	PISTON ROD	50/30X1600	1	0.68
13	28586105	SLEEVE	ISKURAJOITINHOLKKI	1	0.37
14	3010175	ALLEN SCREW	M8X10 ZN DIN 914	1	0
15	28586401	PIPE	16-1700	1	0.44
16	3090928	FASTENER		1	0.22
17	3090929	TENSIONER		1	
1-7	3110756	SEAL KIT	50/30 F2010	1	

LOCTITE 242

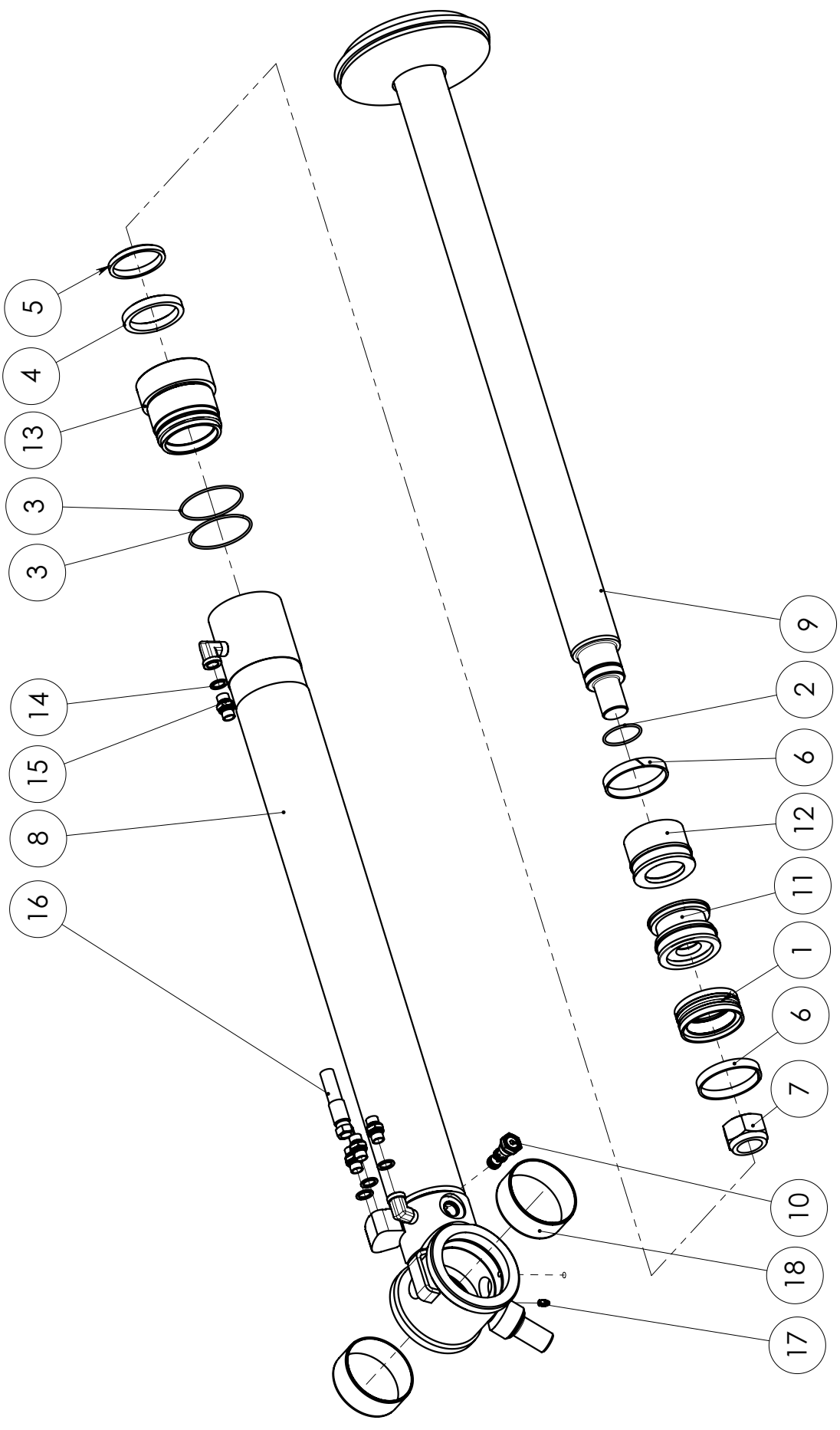


28581001 SYLINTERI

VARAOSAT \ RESERVDELAR \ SPARE PARTS \ ERSATZTEIL

Item code	28581001	Revision	A
Title	CYLINDER	Date	15.06.2007
Specification	70/40X1600		

Pos	Item code	Title	Specification	Pc	Nto Weight
1	3110317	PISTON SEAL	PDO 70/58X20	1	0.21
2	3110248	O-RING	31.5X3 90 SHORE	1	0.01
3	3110009	O-RING	64.5X3 90 SHORE	1	0.01
4	3110557	SUPPORTING RING	70/65X1.3 PU	1	0
5	3110010	ROD SEAL	NI 300 40/50X10	1	0.05
6	3110011	WIPER SEAL	PW 40	1	0.03
7	3110697	PISTON GUIDE	E/PWR 70/64X13	1	0.06
8	3110735	GUIDANCE	I/PWR 40/46X10	4	0.03
9	3020145	NUT	M30X2 ZN DIN 980 V	1	0.24
10	28349201	PISTON	D=70 (PDO-IIIV.)	1	0.64
11	28581101	CYLINDER BARREL	70/40 X 1600	1	20.95
12	28581202	GUIDANCE	70/40	1	1.38
13	28870204	PISTON ROD	40	1	18.83
14	28581105	SLEEVE	ISKURAJOITIN L=42	1	0.52
15	3010175	ALLEN SCREW	M8X10 ZN DIN 914	1	0
1-8	3110736	SEAL KIT	70/40	1	0.49



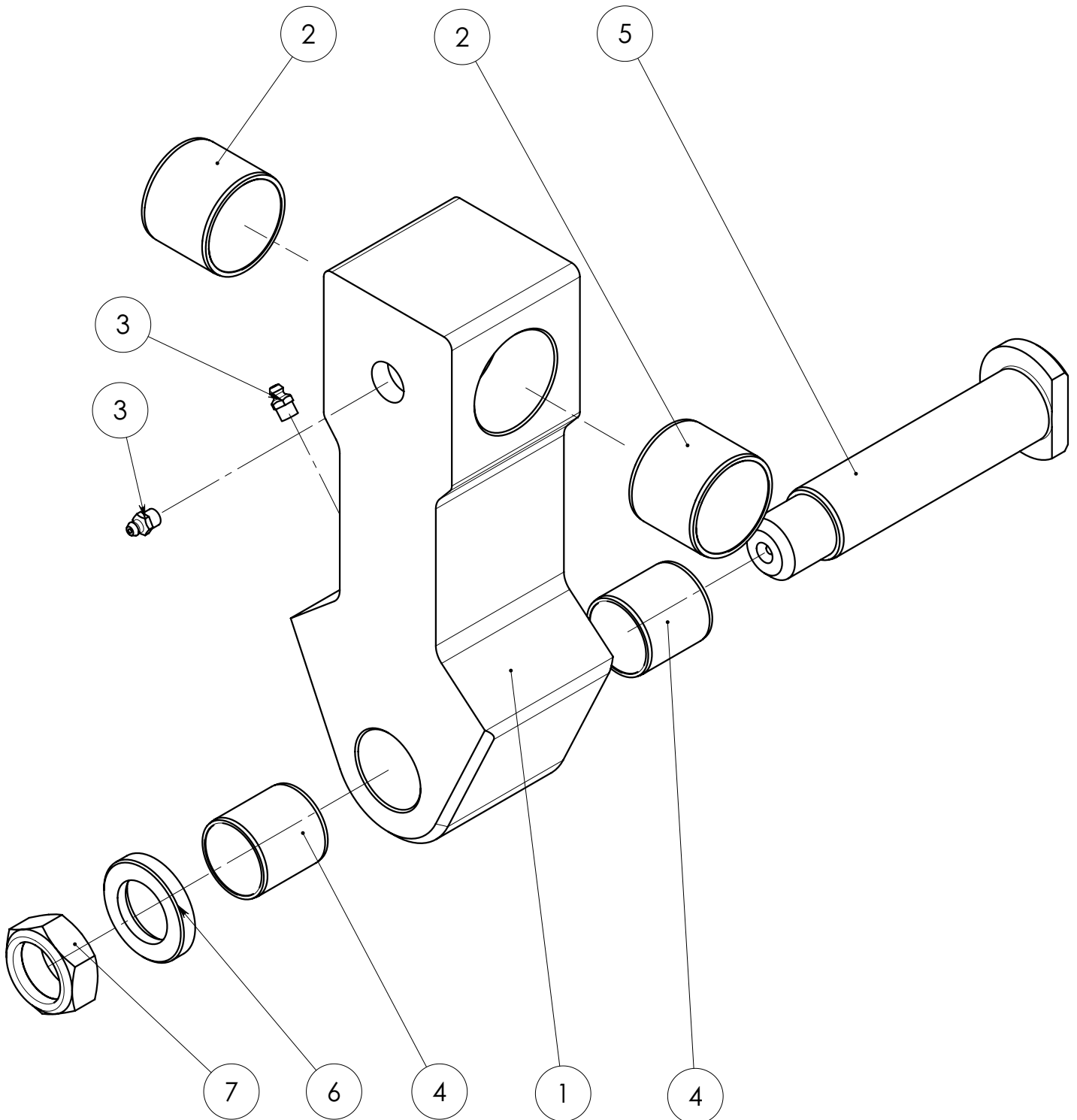
28554001 SYLINTERI

Item code	28554001	Revision	C
Title	CYLINDER	Date	28.03.2007
Specification	90/70X750		

Pos	Item code	Title	Specification	Pc	Nto Weight
1	3110025	PISTON SEAL	DAS 90/70X22	1	0.5
2	3110278	O-RING	49.5X3.0 90 SHORE	1	0.01
3	3110017	O-RING	84.5X3 90 SHORE	2	0.02
4	3110184	ROD SEAL	B 70/85X12 POLYPAC BALSELE	1	0.17
5	3110196	WIPER SEAL	GA 70/80X7/10	1	0.07
6	3110397	PISTON GUIDE	E/PWR 90/84X13	2	0.08
7	3020043	NUT	M36X3 ZN DIN 985	1	0.42
8	28554101	CYLINDER BARREL	90/70 X 750	1	12.98
9	28554204	PISTON ROD	90/70-750	1	5.04
10	28554105	SLEEVE	ISKURAJOITINHOLKKI	1	0.96
11	28554201	PISTON	D=90 DBM	1	1.34
12	28358202	GUIDANCE	90/70	1	2.43
13	3120843	VALVE		1	0.13
14	3110040	USIT-SEAL	R-06 R 3/8"	4	0
15	3090040	CONNECTOR (STRAIGHT)	04000-06	4	0.06
16	3050003	GREASE NIPPLE	M8X1,25 DIN 71412	3	0
17	3100288	BUSHING	WB 802 10040 (105/100X40)	2	0.25
18	3090211	PLUG		1	0.02
19	90012841	SLEEVE	50/34-50	1	0.41
20	3030122	WASHER	M12 ZN DIN 440	1	0.04
21	3010048	HEW SCREW	M12X30 8.8 ZN DIN 933	1	0
22	3100124	BUSHING	PM 3020 DX	2	0.03
1-6	3110430	SEAL KIT	90/70	1	
100	3133112	HOSE	A50001-06-06/241T-06/A50001-06-06/L=870/TEX	1	

90012142

RIIPUKE

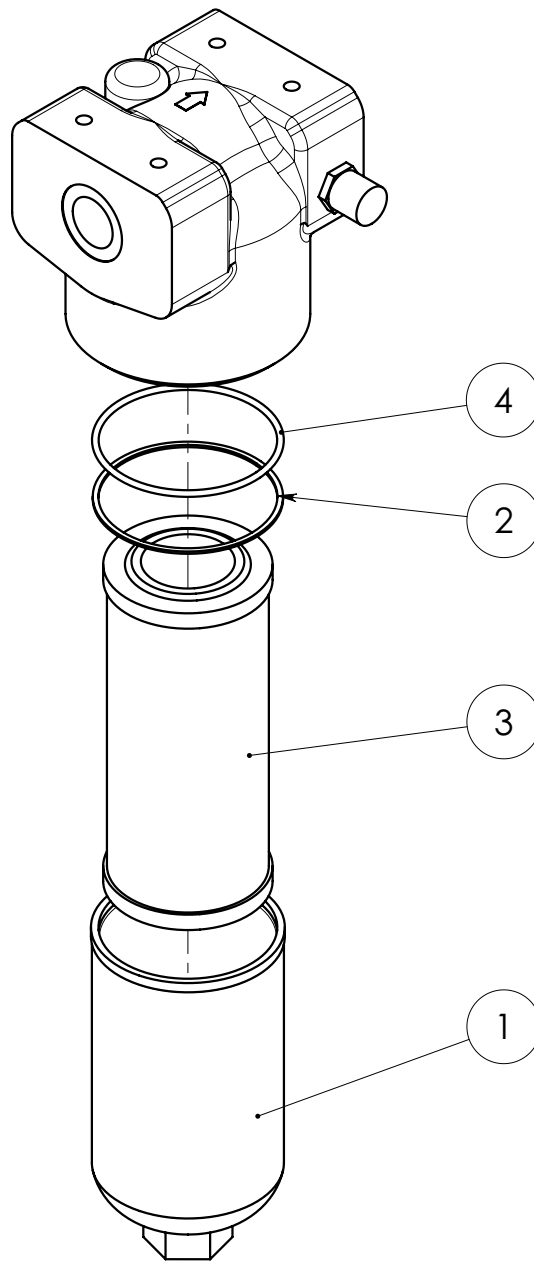


Item code	90012142	Revision	-
Title	LINK	Date	06.03.2006
Specification	80/45-80/35 SIS. ALAPÄÄNAKS., LAAK., RASVANIPAT		

Pos	Item code	Title	Specification	Pc	Nto Weight
1	90011322	LINK	RUNKO	1	11.79
2	3100215	BUSHING	WB 802 4540	2	0.12
3	3050003	GREASE NIPPLE	M8X1,25 DIN 71412	2	0
4	3100196	BUSHING	WB 802 3540	2	0.07
5	90013110	AXLE	35-172	1	1.32
6	90013659	WASHER	50/31-8	1	0.07
7	3020144	NUT	M30X1.5 ZN NYLOC	1	0.1

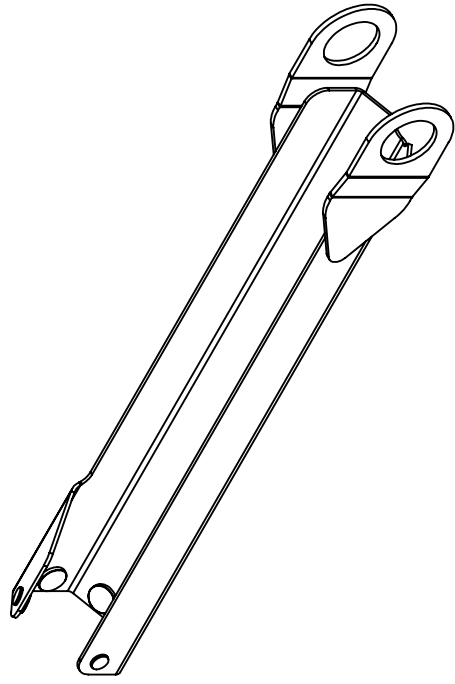
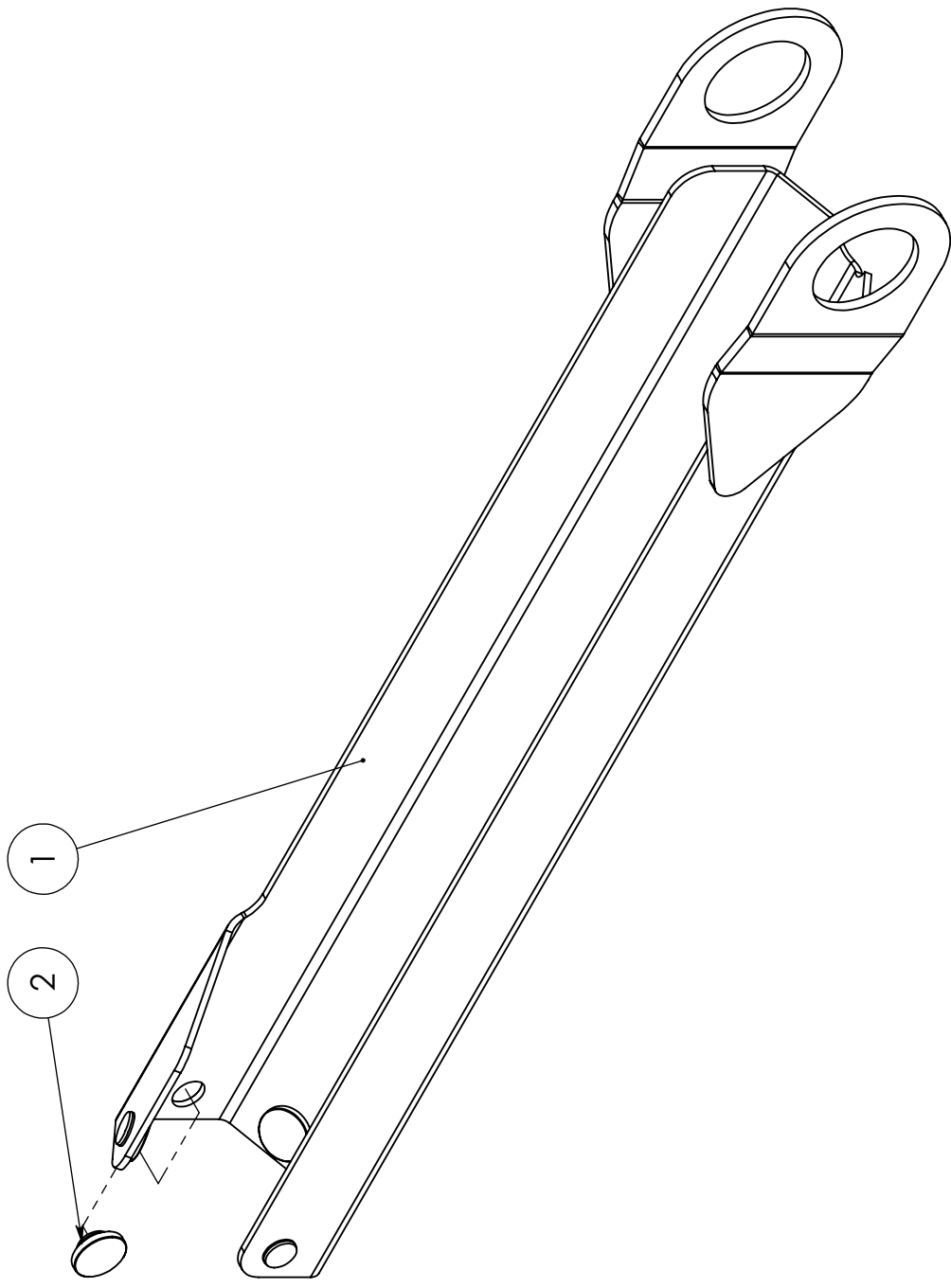
3091211

SUODATIN



Item code	3091211	Revision	-
Title	FILTER	Date	29.05.2008
Specification	70T220QBPKG161S01		

Pos	Item code	Title	Specification	Pc	Nto Weight
1	3090979	PRESSURE FILTER		1	
2	3110707	SUPPORTING RING	95.1X101.1X1.5 PO-01	1	0
3	3090885	CARTRIDGE		1	
4	3110706	O-RING	94.84X3.53 90 SHORE	1	0.02



90022767 SUOJA

VARAOSAT \ RESERVDELAR \ SPARE PARTS \ ERSATZTEIL

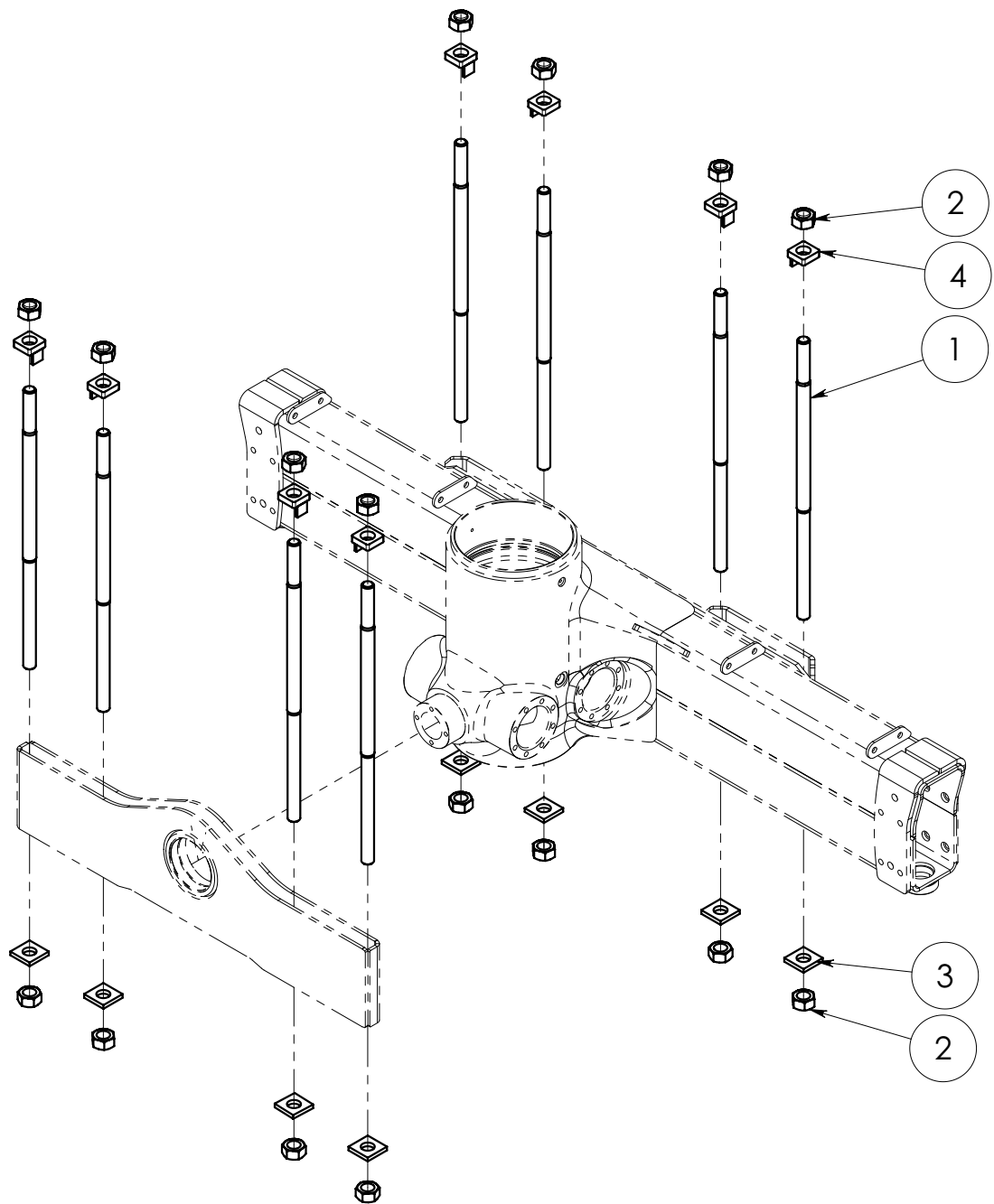
Item code	90022767	Revision	-
Title	COVER	Date	12.09.2008
Specification	NOSTOSYLINTERIN SUOJA		

Pos	Item code	Title	Specification	Pc	Nto Weight
1	90022766	COVER	NOSTOSYL HITS	1	15.84
2	90013832	GLIDE PAD	40-14	5	0.01

90022522

VARUSTELU

KIINNITYSPULTIT



KIRISTYSMOMENTTI 1200Nm (122 kpm)

Item code	90022522	Revision	-
Title	ASSEMBLY	Date	30.04.2008
Specification	M30X2-750		

Pos	Item code	Title	Specification	Pc	Nto Weight
1	90022238	SCREW	M30X2-750	8	3.87
2	3020170	NUT	M30X2 ZN DIN 934	16	0
3	90014010	WASHER	60X60/31-10	8	0.22
4	90013054	WASHER	M30-16	8	0.28
1-4	90022521	FASTENING KIT	M30X2-750	1	34.88

